



Distributor of Molex Connector Corporation: Excellent Integrated System Limited
Datasheet of 0836129203 - D-Sub Connector Plug, Male Pins 15 Position Panel Mount,
Through Hole, Right Angle Solder

Contact us: sales@integrated-circuit.com Website: www.integrated-circuit.com

Excellent Integrated System Limited

Stocking Distributor

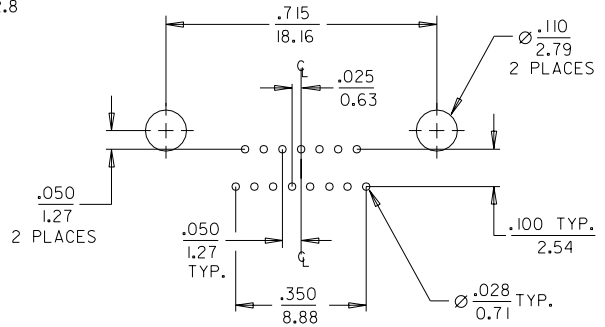
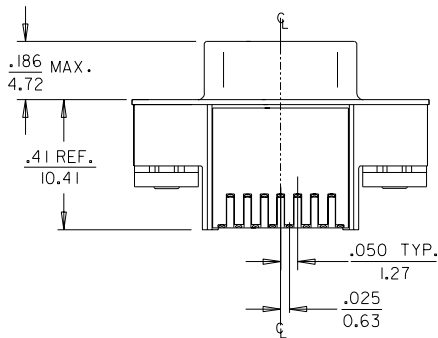
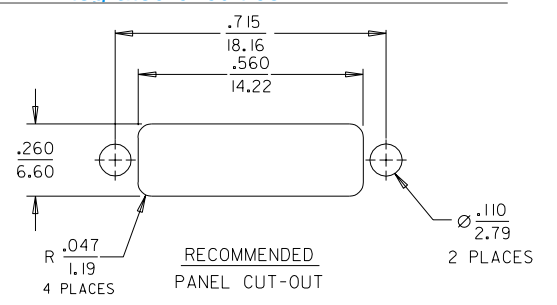
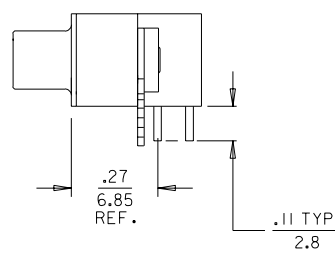
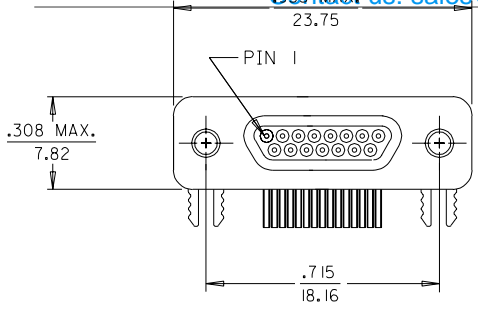
Click to view price, real time Inventory, Delivery & Lifecycle Information:

[Molex Connector Corporation](#)
[0836129203](#)

For any questions, you can email us directly:
sales@integrated-circuit.com

MATERIAL NO.	ENG. NO.
836129203	83612-9203

Contact us: sales@integrated-circuit.com Website: www.integrated-circuit.com



SALES DRAWING

2. MARKING: NONE.
 1. REFER TO PS-83421-9000 FOR PRODUCT SPECIFICATION.
 NOTES: UNLESS OTHERWISE SPECIFIED.

EC NO. ECT2004-0096 DRWN: JAL 03/11/04 CHK: JPP 03/11/05 APPR: RWD 03/11/06 RELEASED A	QUALITY SYMBOLS MAJOR = 0 CRITICAL = 0 V = 0	GENERAL TOLERANCES: (UNLESS SPECIFIED) mm inch 4 PLACES ±0.---- ±.---- 3 PLACES ±0.--- ±.010 2 PLACES ±0.26 ±.020 1 PLACE ±0.50 ±.--- ANGULAR: ± 1° DRAFT WHERE APPLICABLE MUST REMAIN WITHIN DIMENSIONS	SCALE NONE DESIGN UNITS □mm ☒INCH DRAWN BY & DATE JAL 03/11/04 CHECKED BY & DATE JPP 03/11/05 APPROVED BY & DATE RWD 03/11/06 CAD FILENAME SD83612011.DGN	THIRD ANGLE PROJECTION TITLE: CONNECTOR, COMMERCIAL-D, PLUG RIGHT ANGLE, W/O JACKPOST SIZE 15 MOLEX INCORPORATED (SEE CHART) SD-83612-011 OF 1	DIMENSIONS: <input type="checkbox"/> mm <input checked="" type="checkbox"/> INCH <input type="checkbox"/> mm <input type="checkbox"/> mm <input type="checkbox"/> INCH ONLY	SHT 1 REV REVISE ON CAD ONLY
					THIS DRAWING CONTAINS INFORMATION THAT IS PROPRIETARY TO MOLEX INCORPORATED AND SHOULD NOT BE USED WITHOUT WRITTEN PERMISSION.	SHEET NO. 1 OF 1 SIZE B