



Distributor of Molex Connector Corporation: Excellent Integrated System Limited
Datasheet of 0836149016 - D-Sub Connector Plug, Male Pins 25 Position Panel Mount,
Through Hole Solder

Contact us: sales@integrated-circuit.com Website: www.integrated-circuit.com

Excellent Integrated System Limited

Stocking Distributor

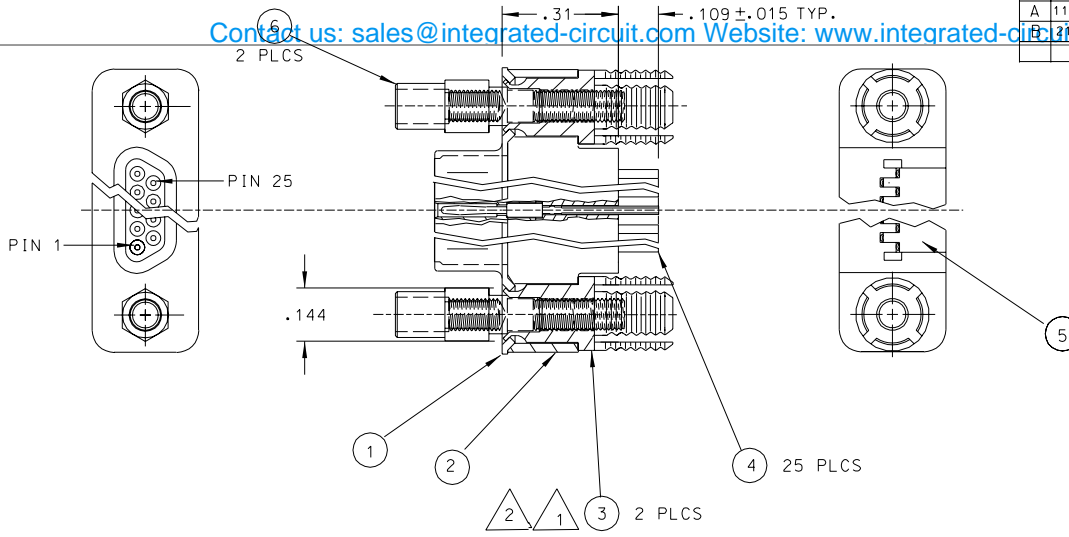
Click to view price, real time Inventory, Delivery & Lifecycle Information:

[Molex Connector Corporation](#)
[0836149016](#)

For any questions, you can email us directly:
sales@integrated-circuit.com

Contact us: sales@integrated-circuit.com Website: www.integrated-circuit.com

REV	DATE	ECN NO.	APPVD BY	REL BY
A	11DEC00	UM2001-0178		
B	21DEC00	UM2001-0188		



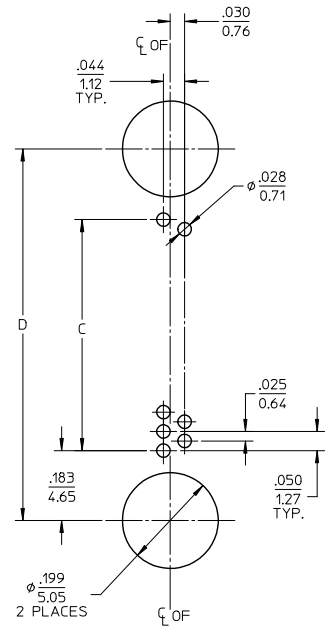
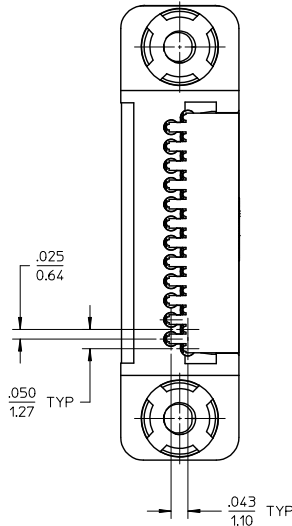
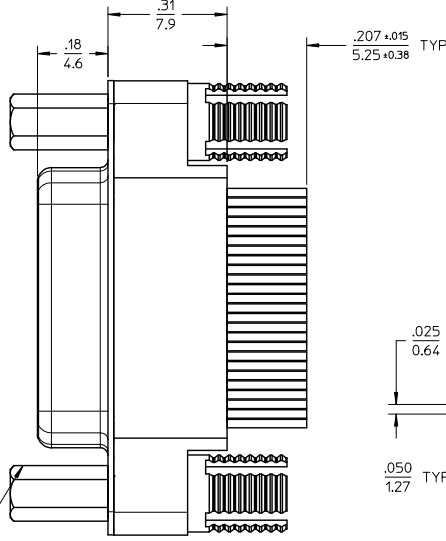
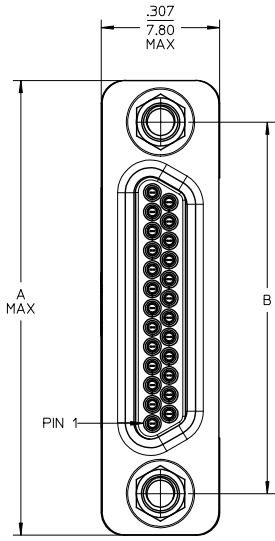
2	830410005	JACKPOST, 2-56 THREAD	6
1	830100094	CONTACT RETAINER	5
25	830009006	CONTACT, PIN, PCB	4
2	830410078	JACKPOST RETAINER w/BOARD LOCK	3
1	830100092	INSULATOR, STRAIGHT, SIZE 25	2
1	830150022	PLUG SHELL, SIZE 25 STAMPED	1
QTY	MATERIAL NO.	DESCRIPTION	ITEM
UNLESS SPECIFIED: ALL DIMENSIONS IN INCHES		SCALE NONE DWG SIZE B	THIRD ANGLE PROJECTION REVISE ON CAD ONLY
GENERAL TOLERANCES:		DRAWN BY & DATE AW 12/11/00	TITLE: CONNECTOR, COMMERCIAL-D, PLUG, VERTICAL, JACKPOST, SIZE 25
3 PLACES ± .005		CHECKED BY & DATE AW 12/11/00	MOLEX INCORPORATED Orange, CA 92868
2 PLACES ± .010		APPROVED BY & DATE	
ANGULAR ± 2°		PART NO. 836149016	DRAWING NO. E-83614-9016
SPC S=0		UIti-Mate CAGE CODE 58967	SHEET NO. 1 OF 1
THIS DRAWING CONTAINS INFORMATION THAT IS PROPRIETARY TO MOLEX INCORPORATED AND SHOULD NOT BE USED WITHOUT WRITTEN PERMISSION.			REV B

- 2 AFTER SWAGING, ITEM 3 TO WITHSTAND 40 IN-OZ OF TORQUE WITH NO INDICATION OF MOVEMENT
- 1 SWAGE ITEM 3 INTO ITEM 1 TO WITHSTAND 5 LB AXIAL PULL OFF FORCE ON ITEM 3.

NOTES: UNLESS OTHERWISE SPECIFIED.

Contact us: sales@integrated-circuit.com Website: www.integrated-circuit.com

PART NUMBER	SIZE	A MAX.	B NOM.	C REF.	D NOM.
836149016	25	1.185	.965	.600	.965



2-56 JACKPOST
2 PLACES

RECOMMENDED
P.C.B. LAY-OUT
.060/1.52 PANEL THICKNESS

2. ROHS COMPLIANT
1. REFER TO PS-83421-9000 FOR PRODUCT SPECIFICATION.
NOTES: UNLESS OTHERWISE SPECIFIED.

REDRAWN EC NO: WNAZ009-0562 DRAWN: BRUPERT 2009/03/25 CHKD: JF MURPHY APPR: JF MURPHY 2009/07/08 REV DESCRIPTION	QUALITY SYMBOLS	GENERAL TOLERANCES (UNLESS SPECIFIED)	DIMENSION STYLE	SCALE	DESIGN UNITS	THIRD ANGLE PROJECTION
	▽=0	mm INCH	IN/MM	4:1	INCH	
	▽=0	4 PLACES ± --- ± ---	DRAWN BY DATE			
		3 PLACES ± --- ± .005	D. URBACH 230CT00	TITLE		
	2 PLACES ± 0.13 ± .010	CHECKED BY DATE				
	1 PLACE ± 0.25 ± ---	D. URBACH 230CT00				
	ANGULAR ± 2 °	APPROVED BY DATE				
		D. URBACH 230CT00				
		MATERIAL NO.				
		SEE CHART				
		SIZE THIS DRAWING CONTAINS INFORMATION THAT IS PROPRIETARY TO MOLEX INCORPORATED AND SHOULD NOT BE USED WITHOUT WRITTEN PERMISSION				

CONN.COMM-D,PLUG,VERT
JACKPOST,SIZE 25

MOLEX INCORPORATED

DOCUMENT NO. SD-83614-9016

SHEET NO. 1 OF 1