



Distributor of Molex Connector Corporation: Excellent Integrated System Limited
Datasheet of 0836199202 - D-Sub Connector Plug, Male Pins 25, 25 Position Panel Mount,
Through Hole, Right Angle Solder

Contact us: sales@integrated-circuit.com Website: www.integrated-circuit.com

Excellent Integrated System Limited

Stocking Distributor

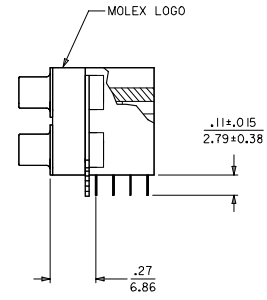
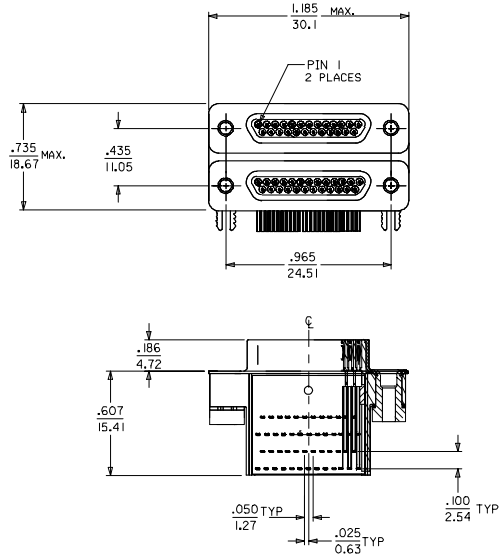
Click to view price, real time Inventory, Delivery & Lifecycle Information:

[Molex Connector Corporation](#)
[0836199202](#)

For any questions, you can email us directly:

sales@integrated-circuit.com

Contact us: sales@integrated-circuit.com Website: www.integrated-circuit.com

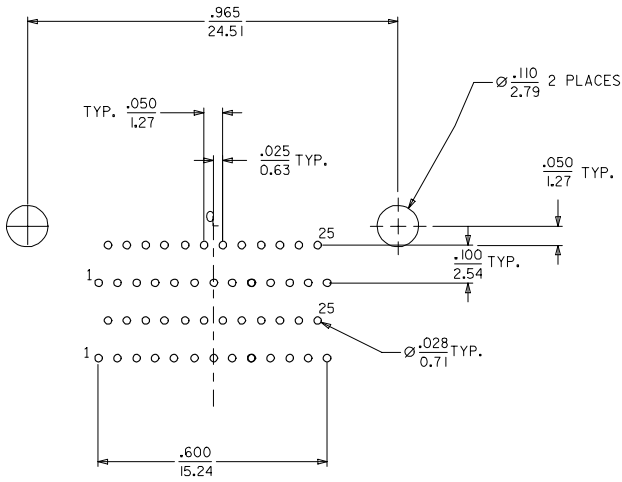


SALES DRAWING

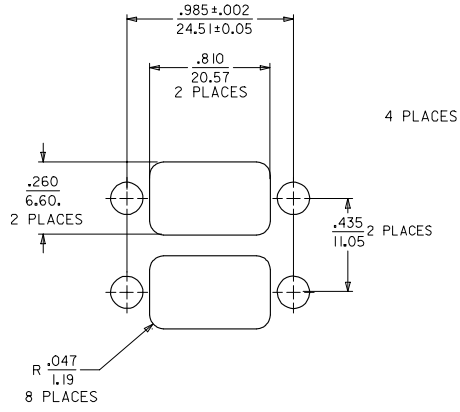
1. MARKING: NONE
 2. SEE SHEET 2 FOR PCB LAYOUT AND PANEL CUT-OUT DIMENSIONS.
 3. PART IS RoHS COMPLIANT
- NOTES: UNLESS OTHERWISE SPECIFIED.

RELEASE TO PROD EC NO: ETC2006-0391 DRWN: JLOMASTR 2006/04/17 CHKD: RDEROSS 2006/04/17 APPR: RDEROSS 2006/04/17	QUALITY SYMBOLS ▽=0 ▽=0	GENERAL TOLERANCES (UNLESS SPECIFIED)		DIMENSION STYLE IN/MM		SCALE NONE	DESIGN UNITS INCH	THIRD ANGLE PROJECTION															
		<table border="1"> <tr> <th></th> <th>mm</th> <th>INCH</th> </tr> <tr> <td>4 PLACES</td> <td>± .010</td> <td>± .004</td> </tr> <tr> <td>3 PLACES</td> <td>± .015</td> <td>± .006</td> </tr> <tr> <td>2 PLACES</td> <td>± 0.25</td> <td>± .010</td> </tr> <tr> <td>1 PLACE</td> <td>± 0.25</td> <td>± .010</td> </tr> <tr> <td colspan="3">ANGULAR ±1/2°</td> </tr> </table>		mm	INCH	4 PLACES	± .010	± .004	3 PLACES	± .015	± .006	2 PLACES	± 0.25	± .010	1 PLACE	± 0.25	± .010	ANGULAR ±1/2°			DRAWN BY JLOMASTR CHECKED BY RDEROSS APPROVED BY RDEROSS	DATE 06/04/17 DATE 06/04/17 DATE 06/04/17	COMMERCIAL MICRO D DUAL STACK SIZE 25/50 WITHOUT JACKPOSTS
	mm	INCH																					
4 PLACES	± .010	± .004																					
3 PLACES	± .015	± .006																					
2 PLACES	± 0.25	± .010																					
1 PLACE	± 0.25	± .010																					
ANGULAR ±1/2°																							
DRAFT WHERE APPLICABLE MUST REMAIN WITHIN DIMENSIONS	MATERIAL NO. 836199202	DOCUMENT NO. SD-83619-013	MOLEX INCORPORATED		SHEET NO. 1 OF 2																		

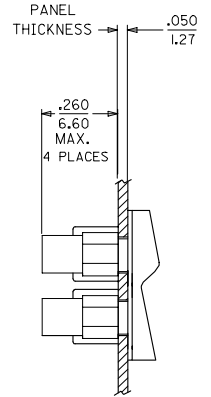
10 9 8 7 6 5 4 3 2 83619



RECOMMENDED
P.C.B. LAY-OUT
SOLDER SIDE



RECOMMENDED
PANEL CUT-OUT



SALES DRAWING

RELEASE FOR PRODUCTION EC NO: ETC2006-0391 DRAWN: JLOMASTR 2006/01/27 CHECKED: RDEROSS 2006/01/27 APPROVED: RDEROSS 2006/04/25	QUALITY SYMBOLS ▽=0 ▽=0	GENERAL TOLERANCES (UNLESS SPECIFIED)		DIMENSION STYLE IN/MM		SCALE 1:1	DESIGN UNITS INCH	THIRD ANGLE PROJECTION
		4 PLACES ± --- ± --- 3 PLACES ± --- ± .010 2 PLACES ± 0.25 ± .01 1 PLACE ± 0.25 ± --- ANGULAR ± 1/2°	mm INCH DRAWN BY JLOMASTR DATE 06/04/17 CHECKED BY RDEROSS DATE 06/04/17 APPROVED BY RDEROSS DATE 06/04/17	TITLE COMMERCIAL MICRO D DUAL STACK SIZE 25/50 WITHOUT JACKPOSTS		MOLEX INCORPORATED		MATERIAL NO. 836199202
A	DESCRIPTION	DRAFT WHERE APPLICABLE MUST REMAIN WITHIN DIMENSIONS		SIZE B		THIS DRAWING CONTAINS INFORMATION THAT IS PROPRIETARY TO MOLEX INCORPORATED AND SHOULD NOT BE USED WITHOUT WRITTEN PERMISSION		

9 8 7 6 5 4 3 2 1