

Excellent Integrated System Limited

Stocking Distributor

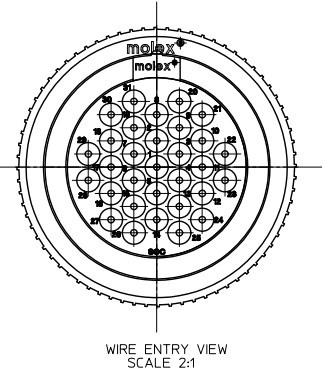
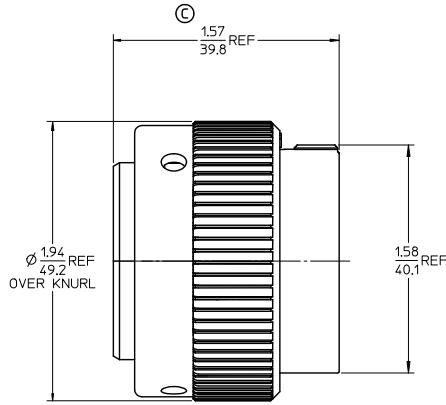
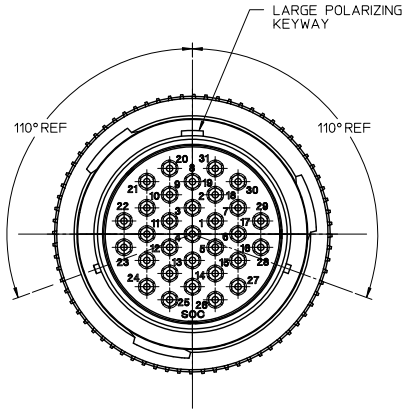
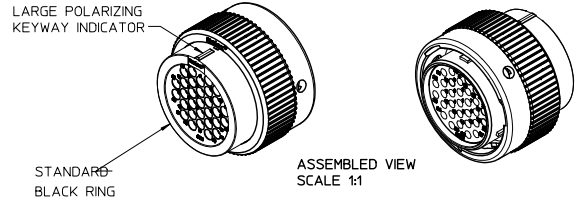
Click to view price, real time Inventory, Delivery & Lifecycle Information:

[Molex Connector Corporation](#)
[0845100005](#)

For any questions, you can email us directly:

sales@integrated-circuit.com

MATERIAL NUMBER	WIRE AWG	INSULATION DIA. O.D.	RING
845100004	18-14	.053-.134/1.35-3.40	STANDARD BLACK



NOTES:

- USE CONNECTOR WITH FEMALE CRIMP TERMINAL SERIES 84525. [Ⓢ]
- MATES WITH RECEPTACLE CONNECTOR SERIES 84511.
- ASSEMBLY IS ROHS COMPLIANT.
- PACKAGED PER PK-84501-001.

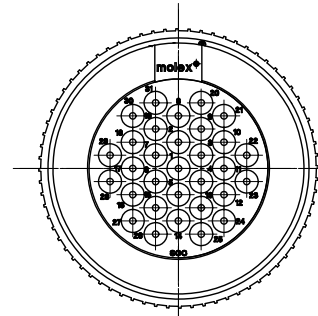
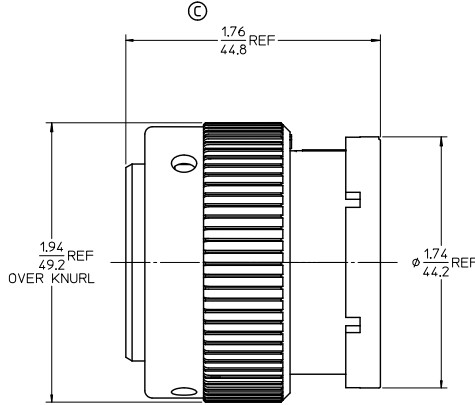
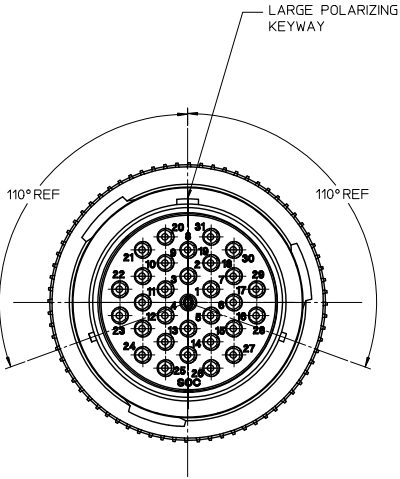
UPDATE DIM. & TERM. SERIES EC NO: WNA 2011-0306 DRAWING NO: 2010/12/13 CHKD: APPROB: 2011/01/14 DESCRIPTION:	QUALITY SYMBOLS ▽=0 ▽=0	GENERAL TOLERANCES (UNLESS SPECIFIED) mm INCH 4 PLACES ± --- ± --- 3 PLACES ± --- ± --- 2 PLACES ± --- ± .015 1 PLACE ± 0.38 ± --- ANGULAR ± 2 °	DIMENSION STYLE IN/MM	SCALE 2:1	DESIGN UNITS INCH	THIRD ANGLE PROJECTION
	DRAFT WHERE APPLICABLE MUST REMAIN WITHIN DIMENSIONS		DRAWN BY DATE BRUPERT 2006/2/8 CHECKED BY DATE JPAWLICKI 2006/6/6 APPROVED BY DATE RDEROSS 2006/6/7	MATERIAL NO. 845100004	TITLE PLUG CONNECTOR ASSEMBLY, 24-31 POS SOCKET TERMINALS	MOLEX INCORPORATED

MATERIAL NUMBER	WIRE AWG	INSULATION DIA. O.D.	RING
845100005	18-14	.053-.134/1.35-3.40	EXTENDED LIP, BLACK

LARGE POLARIZING KEYWAY

EXTENDED LIP BLACK RING

ASSEMBLED VIEW
SCALE 1:1



WIRE ENTRY VIEW
SCALE 2:1

NOTES:

1. USE CONNECTOR WITH MALE CRIMP TERMINAL SERIES 84525.
2. MATES WITH RECEPTACLE CONNECTOR SERIES 84506.
3. USE CONNECTOR WITH STRAIN RELIEF BACKSHELL, MOLEX MATERIAL NO. 84537-0003.
4. ASSEMBLY IS ROHS COMPLIANT.
5. PACKAGED PER PK-84501-001.

UPDATE DRL & TERM. SERIES EC NO: WNA2011-03106 DRAWING NO: 2010/12/13 CHKD: CHIKO APPROV: JIUS 2011/01/14	QUALITY SYMBOLS ▽=0 ▽=0	GENERAL TOLERANCES (UNLESS SPECIFIED)		DIMENSION STYLE IN/MM		SCALE 1:1	DESIGN UNITS INCH	THIRD ANGLE PROJECTION
		4 PLACES ± --- ± --- 3 PLACES ± --- ± --- 2 PLACES ± --- ± .015 1 PLACE ± 0.38 ± --- ANGULAR ± 2 °	DRAWN BY BRUPERT DATE 2006/2/8	TITLE PLUG CONNECTOR ASSEMBLY, 24-31 POS SOCKET TERMINALS			MOLEX INCORPORATED	SHEET NO. 2 OF 2
DRAFT WHERE APPLICABLE MUST REMAIN WITHIN DIMENSIONS		MATERIAL NO. 845100005		DOCUMENT NO. SD-84510-002		THIS DRAWING CONTAINS INFORMATION THAT IS PROPRIETARY TO MOLEX INCORPORATED AND SHOULD NOT BE USED WITHOUT WRITTEN PERMISSION		