

Excellent Integrated System Limited

Stocking Distributor

Click to view price, real time Inventory, Delivery & Lifecycle Information:

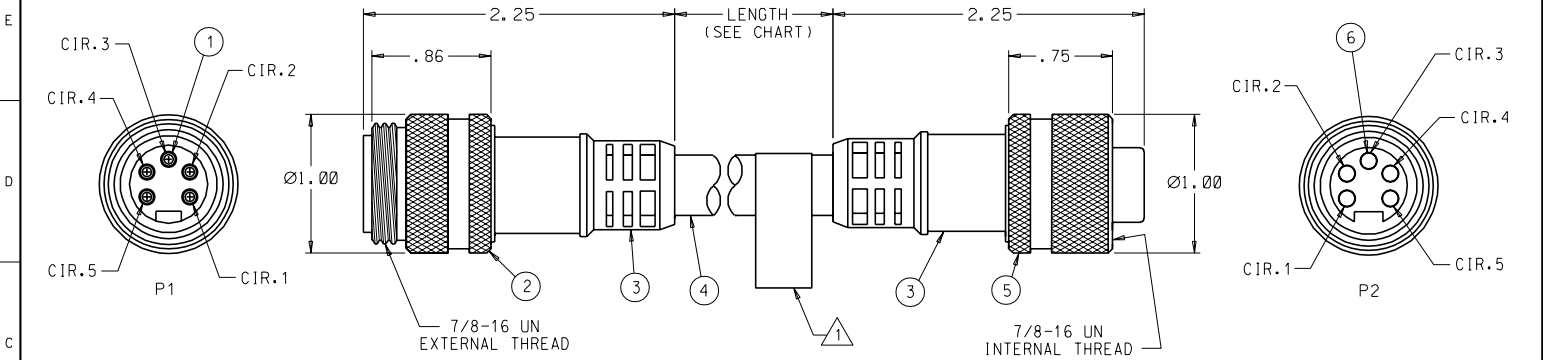
[Molex Connector Corporation](#)
[0849140237](#)

For any questions, you can email us directly:

sales@integrated-circuit.com

| MOLEX PART NO. | HOLJERON PART NO. | LENGTH (METERS) |
|----------------|-------------------|-----------------|
| 849140235 | CBL-SKR521-005 | 0.5 |
| 849140236 | CBL-SKR521-010 | 1 |
| 849140237 | CBL-SKR521-020 | 2 |
| 849140238 | CBL-SKR521-040 | 4 |
| 849140239 | CBL-SKR521-100 | 10 |
| 849140316 | CBL-SKR521-150 | 15 |
| 849140296 | CBL-SKR521-030 | 3 |

| REV | DATE | ECN NO. | APPVD BY | REL BY |
|-----|---------|-------------|----------|--------|
| C | 3-28-00 | UM2000-0497 | | |
| D | 5-5-00 | UM2000-0545 | FVW | |



| P1 | | P2 |
|----|-------|----|
| 1 | DRAIN | 1 |
| 2 | BRN | 2 |
| 3 | BLU | 3 |
| 4 | BLK | 4 |
| 5 | WHT | 5 |

WIRING DIAGRAM

| ITEM | QTY | DESCRIPTION | MATERIAL/FINISH |
|------|-----------|----------------------------|--------------------------|
| 6 | 5 | CONTACT, SOCKET | COPPER ALLOY/GOLD PLATED |
| 5 | 1 | COUPLING RING, INT. THREAD | STAINLESS STEEL |
| 4 | SEE CHART | CABLE, THICK (TRUNK) | PUR JACKET/COLOR:GRAY |
| 3 | 2 | MOLDED BODY | PVC/COLOR:GRAY |
| 2 | 1 | COUPLING RING, EXT. THREAD | STAINLESS STEEL |
| 1 | 5 | CONTACT, PIN | COPPER ALLOY/GOLD PLATED |

1 LABEL MARKED WITH HOLJERON PART NO. AND DATE CODE.

NOTES: UNLESS OTHERWISE SPECIFIED

| | | | |
|--|--|--|--|
| QUALITY SYMBOLS MAJOR = CRITICAL = SPC = | UNLESS SPECIFIED: ALL DIMENSIONS IN INCHES GENERAL TOLERANCES: 3 PLACE ±.005 2 PLACE ±.01 ANGULAR ±2° | SCALE: --- B DWG SIZE: B DRAWN BY & DATE: GF 4-6-99 CHECKED BY & DATE: DW 4-16-99 APPROVED BY & DATE: DW 4-16-99 | THIRD ANGLE PROJECTION REVISE ON CAD ONLY |
| | TITLE: MINI-C, PLUG, MALE/ FEMALE, 5/C, SDS STYLE CABLE | | |
| | Molex MOLEX INCORPORATED Orange, CA 92868 | PART NO.: SEE CHART DRAWING NO.: SD-84914-0235 | SHEET NO.: 1 OF 1 REV: D |