

## Excellent Integrated System Limited

Stocking Distributor

Click to view price, real time Inventory, Delivery & Lifecycle Information:

[Molex Connector Corporation](#)  
[0850010050](#)

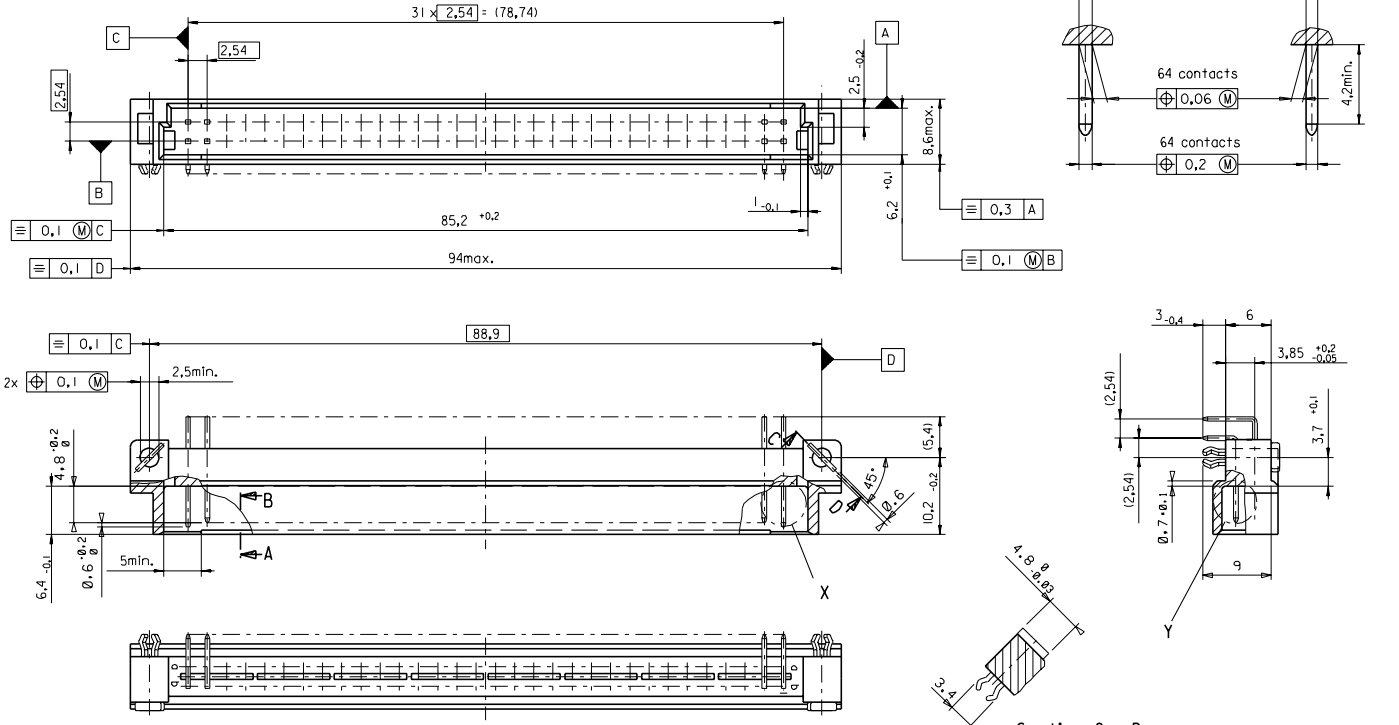
For any questions, you can email us directly:  
[sales@integrated-circuit.com](mailto:sales@integrated-circuit.com)

View X

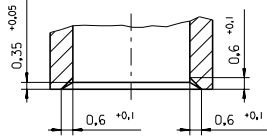
5:1

View Y

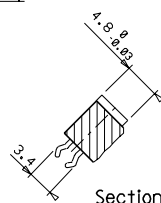
5:1



Section A - B  
5:1



Section C - D



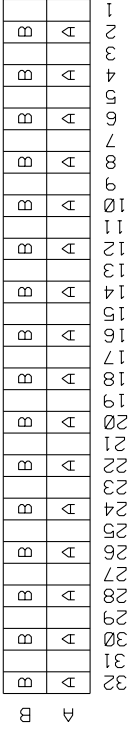
FIRST ANGLE PROJECTION REVISE ONLY ON CAD SYSTEM

FIRST RELEASE see ECN No. 1887	REVISIONS SEE MR. LIST FOR PREVIOUS REVISIONS	3 PLACE ± .	±
		2 PLACE ± .	±
L T R	DESIGN DIMENSION	<input type="checkbox"/> MM	
		<input type="checkbox"/> IN.	
A	EQUIVALENT DIMENSION	<input type="checkbox"/> MM	
		<input type="checkbox"/> IN.	

DRWG BY Ca	SIGN
CHK'D BY KN	SIGN
APP'D BY	SIGN
SCALE 2:1	

CAD/CAM PROJECT NAME 85001000 s11	THIS DRAWING CONTAINS INFORMATION THAT IS PROPRIETARY TO MOLEX INC. & SHOULD NOT BE USED WITHOUT WRITTEN PERMISSION	SH. REV.
TITLE 64 pos. Male connector acc. DIN 41612 style B Dimensions		
molex MOLEX EUROPE		SHEET NO. DATE 1 OF 95/06/06
PART NO. SDA-85001-0001	DWG. NO.	SIZE B

VIEW ON MATING SIDE



A = 16 STANDARD CONTACTS L=3

B = 16 STANDARD CONTACTS L=3

S = 32 TOTAL NUMBER OF CONTACTS

Marking	Standard
Performance level	G2/0 = Contact area level2 / Termination fin
Flux proof	no
Fixing clip	no
Dimensions	SDA-85001-0001 sht.1
Technical Data	PS-85003-0001

B	G2/0	b2,4,6,8,10,12,14,16,18,20,22,24,26,28,30,32
A	G2/0	a2,4,6,8,10,12,14,16,18,20,22,24,26,28,30,32

Contact symbol Per form. level Contact position number

REVISIONS see ECN No. 2204 96/07/18 Cd FOR PREVIOUS REVISIONS SEE MRL LIST	UNLESS OTHERWISE SPECIFIED TOLERANCES: ANGULAR ±2° INCH METRIC 3 PLACE ± . ± 2 PLACE ± . ± 1 PLACE ± . ± DRAFT WHERE APPLICABLE MUST REMAIN WITHIN DIMENSIONS	DRWG BY Cc CHK'D BY KN APP'D BY	SIGN SIGN SIGN	CAD/CAM PROJECT NAME 8500100 S51 THIS DRAWING CONTAINS INFORMATION THAT IS PROPRIETARY TO MOLEX INC. & SHOULD NOT BE USED WITHOUT WRITTEN PERMISSION	REVISE ONLY ON CAD SYSTEM SH. REV.
	DESIGN DIMENSION <input type="checkbox"/> MM <input type="checkbox"/> IN. EQUIVALENT DIMENSION <input type="checkbox"/> MM <input type="checkbox"/> IN. IF TWO DIMENSIONS ARE SHOWN, THE FIRST IS THE DESIGN DIMENSION, LOWER IS SECONDARY	SCALE	TITLE 64 pos. Male connector acc. DIN 41612 style B contacts arrangement	SHEET NO. DATE 1 OF 1 95/05/23	PART NO. DWG NO. 85001-0050 SDA-85001-0050