

## Excellent Integrated System Limited

Stocking Distributor

Click to view price, real time Inventory, Delivery & Lifecycle Information:

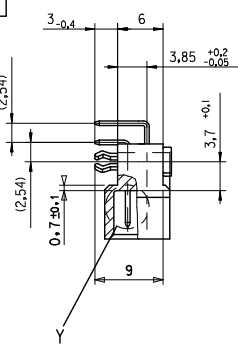
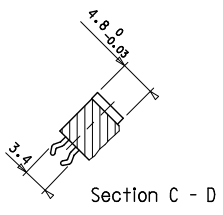
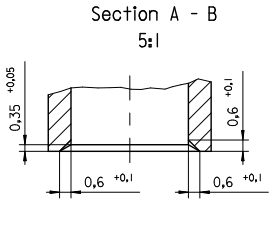
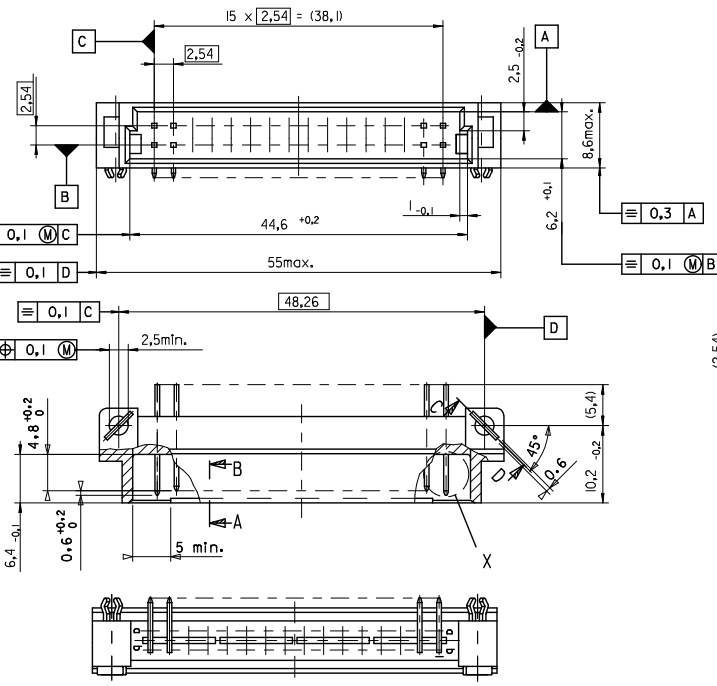
[Molex Connector Corporation](#)

[0850010282](#)

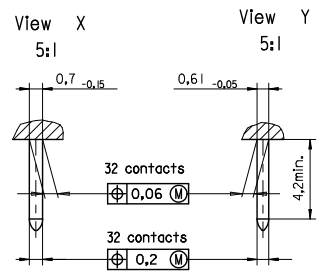
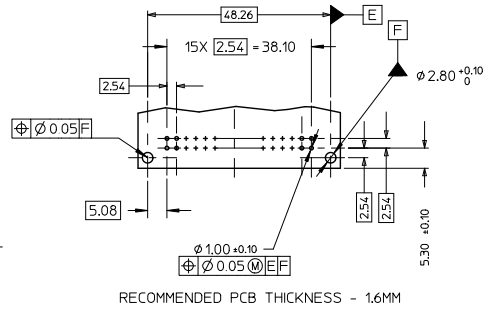
For any questions, you can email us directly:

[sales@integrated-circuit.com](mailto:sales@integrated-circuit.com)

10 9 8 7 6 5 4 3 2 1



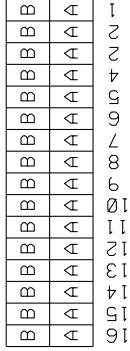
RECOMMENDED PCB LAYOUT  
COMPONENT SIDE



ENTER DESCRIPTION EC NO: 12011-0346 DRAWN: VUTTARKAR CHKD: KRASAD APPR: KRASAD 2011/08/31 2011/09/02	QUALITY SYMBOLS √=0 ∇=0 ∇=0 ∇=0	GENERAL TOLERANCES (UNLESS SPECIFIED)		DIMENSION STYLE MM ONLY		SCALE	DESIGN UNITS METRIC	FIRST ANGLE PROJECTION	
		4 PLACES ± --- ± --- 3 PLACES ± --- ± --- 2 PLACES ± --- ± --- 1 PLACE ± --- ± --- ANGULAR ± --- °	DRAWN BY VUTTARKAR DATE CHECKED BY KRASAD DATE APPROVED BY DATE MATERIAL NO. --- SIZE A3	TITLE 32POS. MALE CONNECTOR ACC. DIN 41612 STYLE B/2 DIMENSIONS MOLEX INCORPORATED DOCUMENT NO. SDA-85001-0002	SHEET NO. 1 OF 01	DRAFT WHERE APPLICABLE MUST REMAIN WITHIN DIMENSIONS		THIS DRAWING CONTAINS INFORMATION THAT IS PROPRIETARY TO MOLEX INCORPORATED AND SHOULD NOT BE USED WITHOUT WRITTEN PERMISSION	

9 8 7 6 5 4 3 2 1

VIEW ON MATING SIDE



A = 16 STANDARD CONTACTS L=3  
 B = 16 STANDARD CONTACTS L=3  
 S = 32 TOTAL NUMBER OF CONTACTS

Marking	Standard
Performance level	G1/0 = Contact area level / Termination fin
Flux proof	no
Fixing clip	no
Dimensions	SDA-85001-0002 sht.1
Technical Data	PS-85003-0001

B	G1/0	b1-16
A	G1/0	a1-16
Contact symbol	Per form.	Contact position number

REVISIONS		FOR PREVIOUS REVISIONS SEE MRL LIST	
see ECN No. 2204	96/07/18 Cd	L TR	
UNLESS OTHERWISE SPECIFIED TOLERANCES: ANGULAR ±2°		DRAWN BY SIGN Cc	
INCH METRIC		CHK'D BY SIGN KN	
3 PLACE ±	±	APPRO'D BY SIGN	
2 PLACE ±	±	SCALE	
1 PLACE ±	±	DESIGN DIMENSION <input type="checkbox"/> MM <input type="checkbox"/> IN.	
DRAFT WHERE APPLICABLE MUST REMAIN WITHIN DIMENSIONS		EQUIVALENT DIMENSION <input type="checkbox"/> MM <input type="checkbox"/> IN.	
REVISIONS		THIS DRAWING CONTAINS INFORMATION THAT IS PROPRIETARY TO MOLEX INC. & SHOULD NOT BE USED WITHOUT WRITTEN PERMISSION	
REVISE ONLY ON CAD SYSTEM		SH. REV.	
CAD/CAM PROJECT NAME s8500102 s81		SHEET NO. DATE 1 OF 1 95/05/23	
TITLE 32 pos. Male connector acc. DIN 41612 style B/2 contacts arrangement		MOLEX EUROPE	
PART NO. 85001-0282		DWG NO. SDA-85001-0282	
SIZE A		SIZE A	