

Excellent Integrated System Limited

Stocking Distributor

Click to view price, real time Inventory, Delivery & Lifecycle Information:

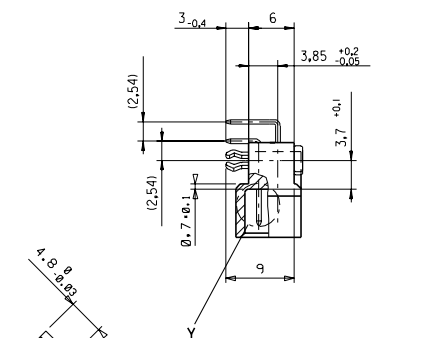
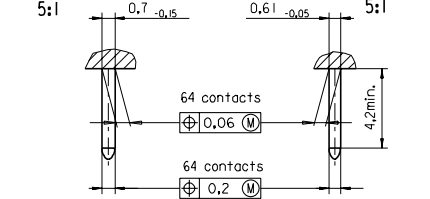
[Molex Connector Corporation](#)
[0850010385](#)

For any questions, you can email us directly:

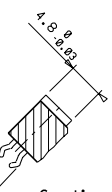
sales@integrated-circuit.com

View X

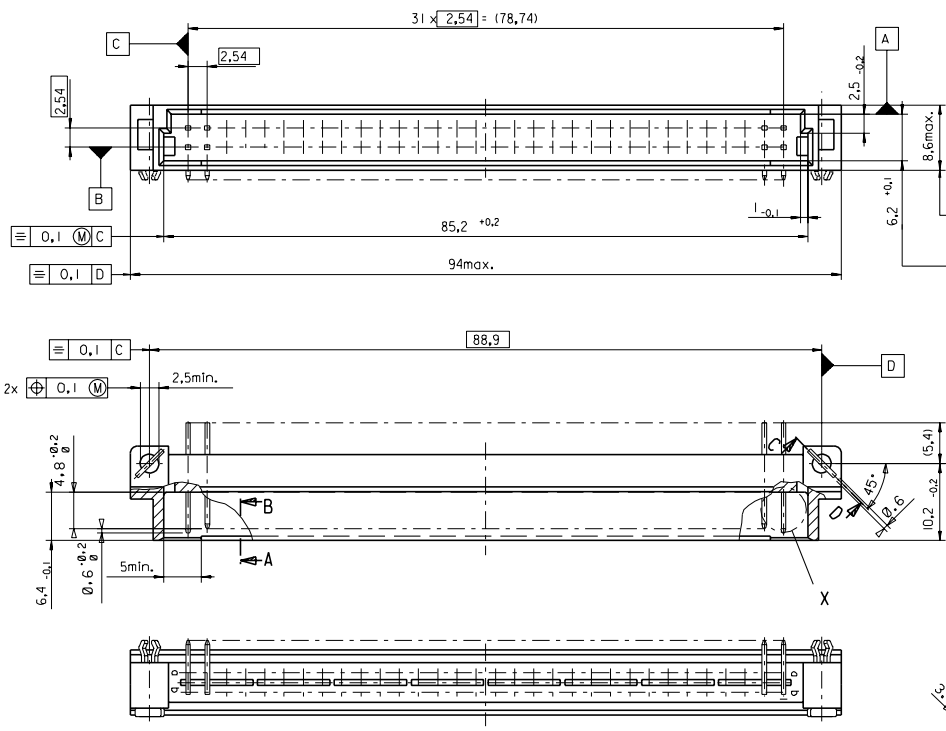
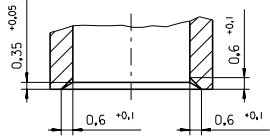
View Y



Section C - D



Section A - B
5:1



FIRST ANGLE PROJECTION REVISE ONLY ON CAD SYSTEM SH. REV.

FIRST RELEASE see ECN No. 1887	REVISIONS FOR PREVIOUS REVISIONS SEE MR. LIST	UNLESS OTHERWISE SPECIFIED TOLERANCES: ANGULAR ±2°	DRWG BY	SIGN	CAD/CAM PROJECT NAME	85001000	THIS DRAWING CONTAINS INFORMATION THAT IS PROPRIETARY TO MOLEX INC. & SHOULD NOT BE USED WITHOUT WRITTEN PERMISSION	SH. REV.
		INCH	MM	3 PLACE ± .	CHK'D BY	61	64 pos. Male connector acc. DIN 41612 style B Dimensions	
		METRIC	MM	2 PLACE ± .	APP'D BY	KN	MOLEX EUROPE	SHEET NO. DATE
		INCH	MM	1 PLACE ± .	SCALE	2:1	1 OF 1	95/06/06
A	LTR	DESIGN DIMENSION <input type="checkbox"/> MM <input type="checkbox"/> INL			PART NO.	SDA-85001-0001	SIZE	B
		EQUIVALENT DIMENSION <input type="checkbox"/> MM <input type="checkbox"/> INL						
		IF TWO DIMENSIONS ARE GIVEN, THE UPPER IS THE DESIGN DIMENSION, LOWER IS SECONDARY						

