

## Excellent Integrated System Limited

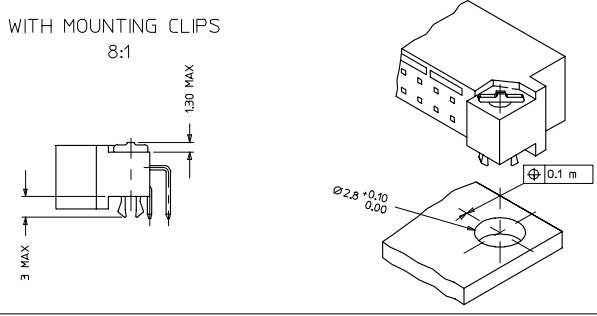
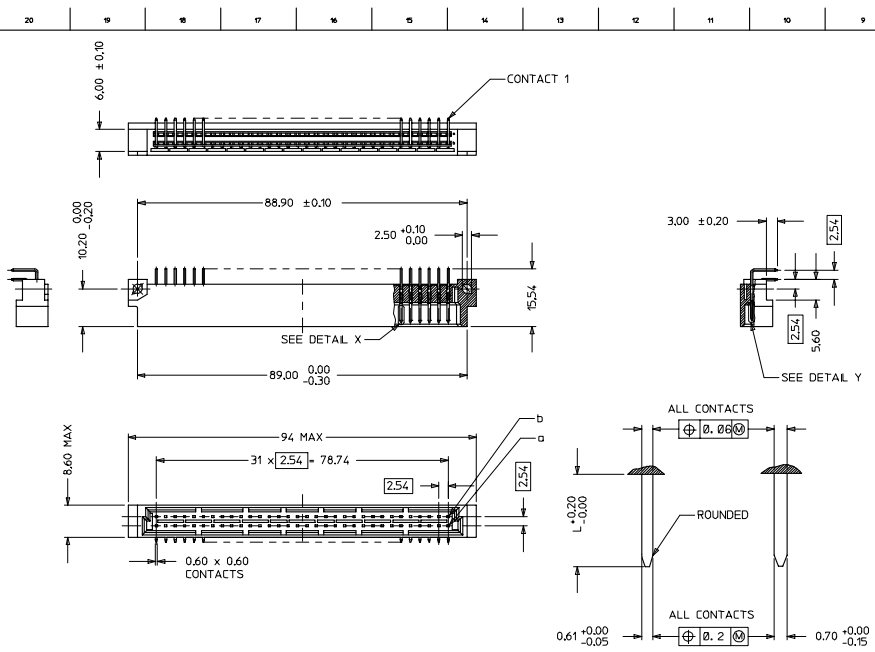
Stocking Distributor

Click to view price, real time Inventory, Delivery & Lifecycle Information:

[Molex Connector Corporation](#)  
[0850017005](#)

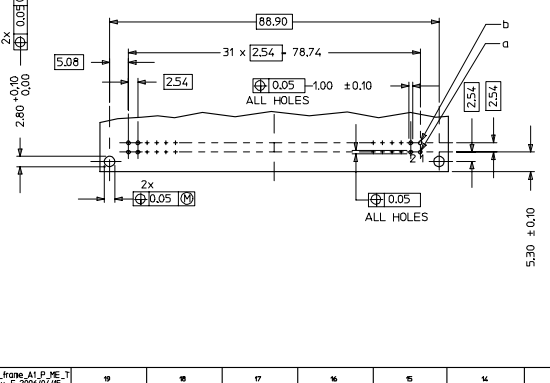
For any questions, you can email us directly:

[sales@integrated-circuit.com](mailto:sales@integrated-circuit.com)



- NOTES:
- 1) MATERIALS: THERMX (PCT), GLASS FILLED, UL94V-0.COLOUR: NATURAL  
TERMINAL - BRASS  
MOUNTING CLP: STEEL
  - 2) FINISH: TERMINAL- CONTACT AREA-  
1. PERFORMANCE LEVEL 1: SELECTIVE GOLD (AU), THICKNESS = 1.1 MICROMETER  
OVER NICKEL, THICKNESS = 1.25 MICROMETER  
2. PERFORMANCE LEVEL 2: SELECTIVE GOLD (AU), THICKNESS = 0.6 MICROMETER  
OVER NICKEL, THICKNESS = 1.25 MICROMETER  
3. PERFORMANCE LEVEL 3: SELECTIVE GOLD (AU), THICKNESS = 0.3 MICROMETER  
OVER NICKEL, THICKNESS = 1.25 MICROMETER  
TERMINATION AREA:  
SELECTIVE TIN , THICKNESS = 2.5 MICROMETER  
OVER NICKEL, THICKNESS = 1.25 MICROMETER OVERALL
  - 3) MOUNTING CLIP:-  
TIN (Sn), THICKNESS = 5-10 MICROMETER,  
OVER NICKEL (Ni), THICKNESS = 2.5 MICROMETER
  - 4) FOR NON MOUNTING CLP OPTION, CONNECTOR TO BE SECURED WITH RIVETS: 2 TUBULAR RIVETS 2.5 x 0.3 - DN 7340  
SCREWS: 2 CHEESEHEAD SCREWS M2.5 x 0.3 - DN 84 AND 2 HEXAGONAL NUTS M2.5 DN 934
  - 5) MATERIAL NUMBER, BATCH CODE, UL AND CSA MARKING TO BE PRINTED ON THE CONNECTOR
  - 6) CUT FACE OF TP WITHOUT PLATING PERMITTED
  - 7) PRODUCT SPECIFICATION PS : 85003-0001

RECOMMENDED PCB LAYOUT  
COMPONENT SIDE



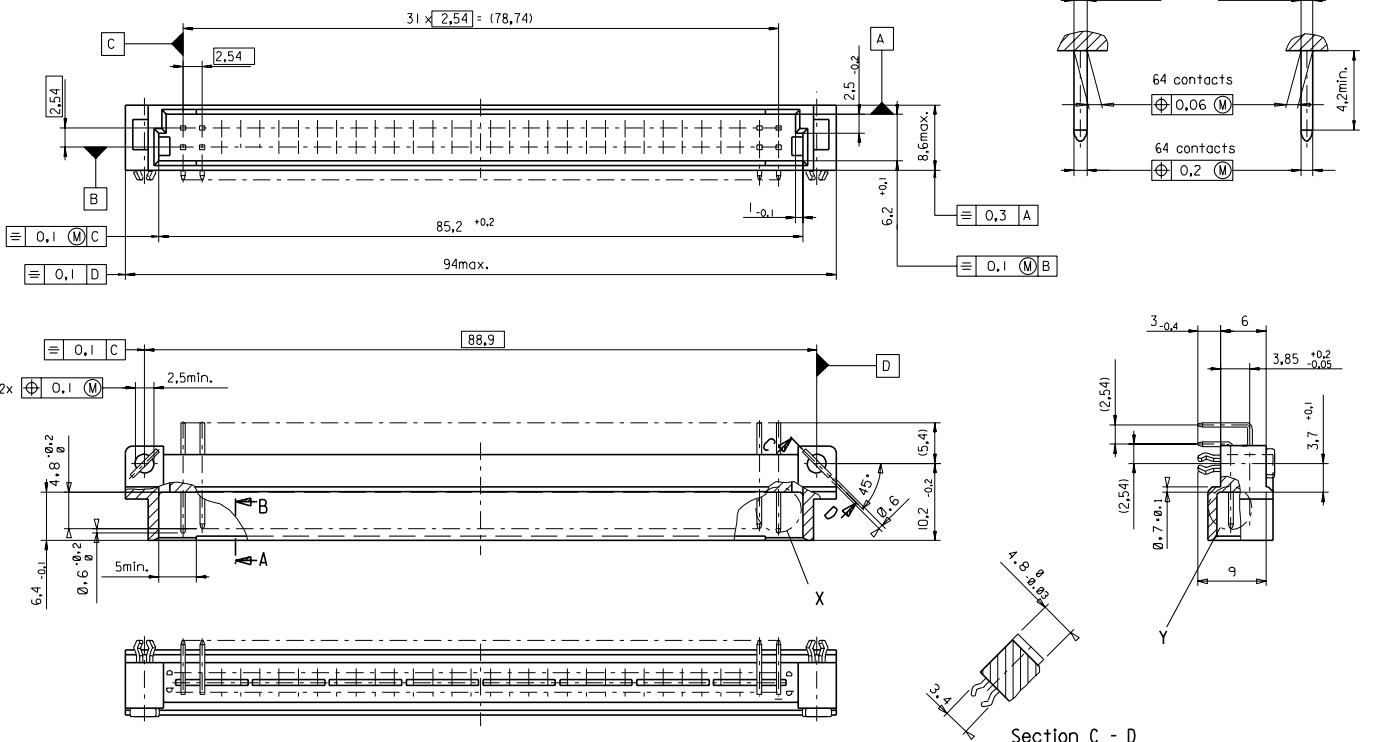
|                     |     |
|---------------------|-----|
| PRE MATING CONTACTS | 5.4 |
| NORMAL CONTACTS     | 4.8 |
|                     | L   |

RoHS COMPLIANT

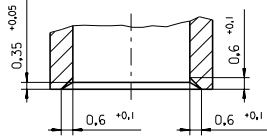
|  |  |   |                         |                            |                  |                        |
|--|--|---|-------------------------|----------------------------|------------------|------------------------|
| ENTER DESCRIPTION<br>EC NO: 02007-0993<br>DRAWING NO: 0850017005<br>APPROVED BY: [Signature]<br>DATE: 2004/04/06 | QUALITY SYMBOLS                                      | GENERAL TOLERANCES (UNLESS SPECIFIED)   | DIMENSION STYLE         | SCALE                      | DESIGN UNITS     | THIRD ANGLE PROJECTION |
|  | ▽=0  | mm   INCH   | MM ONLY                 | 2:1                        | METRIC           | ◎                      |
|  | ▽=0  | 4 PLACES ± 0.05   | DRAWN BY: SS            | DATE: 2004/04/06           |                  |                        |
|  |  | 3 PLACES ± 0.1  | CHECKED BY: [Signature] | DATE: 2004/04/06           |                  |                        |
|  | 2 PLACES ± 0.15                                      | APPROVED BY: [Signature]  | DATE: 2004/04/06        |                            |                  |                        |
|  | 1 PLACE ± 2°   | ANGULAR ± 2°  |                         |                            |                  |                        |
|  | DRAFT WHERE APPLICABLE MUST REMAIN WITHIN DIMENSIONS |   | MATERIAL NO: SEE CHART  | DOCUMENT NO: SD-85001-0001 | SHEET NO: 4 OF 6 |                        |
|  |  | NOTE: THIS DRAWING CONTAINS INFORMATION THAT IS PROPRIETARY TO MOLEX INCORPORATED AND SHOULD NOT BE USED WITHOUT WRITTEN PERMISSION |                         |                            |                  |                        |

View X

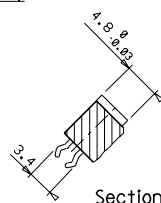
View Y



Section A - B  
5:1



Section C - D



FIRST ANGLE PROJECTION REVISE ONLY ON CAD SYSTEM SH. REV.

|                                   |  |  |                       |   |   |  |                                 |
|-----------------------------------|--|--|-----------------------|---|---|--|---------------------------------|
| first release<br>see ECN No. 1887 | REVISIONS<br>FOR PREVIOUS REVISIONS SEE MR. LIST | UNLESS OTHERWISE SPECIFIED<br>TOLERANCES: ANGULAR ±2°<br>INCH METRIC   | DRWG BY<br><b>Cq</b>  | SIGN  | CAD/CAM PROJECT NAME<br>85001000<br>s11 | THIS DRAWING CONTAINS INFORMATION THAT IS PROPRIETARY TO<br>MOLEX INC. & SHOULD NOT BE USED WITHOUT WRITTEN PERMISSION | SHEET NO. DATE<br>1 OF 95/06/06 |
|                                   |  | 3 PLACE ± . ±<br>2 PLACE ± . ±<br>1 PLACE ± ± ±  | CHK'D BY<br><b>KN</b> | TITLE<br>64 pos. Male connector<br>acc. DIN 41612 style B<br>Dimensions | SCALE<br>2:1                            | PART NO.<br>SDA-85001-0001   | SIZE<br>B                       |
|                                   |  | DRAFT WHERE APPLICABLE MUST<br>REMAIN WITHIN DIMENSIONS  | APP'D BY              | MOLEX MOLEX EUROPE  | SHEET NO. DATE<br>1 OF 95/06/06         | PART NO.<br>SDA-85001-0001   | SIZE<br>B                       |
|                                   |  | DESIGN DIMENSION <input type="checkbox"/> MM<br><input type="checkbox"/> IN.<br>EQUIVALENT DIMENSION <input type="checkbox"/> MM<br><input type="checkbox"/> IN.<br>IF TWO DIMENSIONS ARE GIVEN THE UPPER IS<br>THE DESIGN DIMENSION UNLESS IS SECONDARY | SIGN                  | MOLEX MOLEX EUROPE  | SHEET NO. DATE<br>1 OF 95/06/06         | PART NO.<br>SDA-85001-0001   | SIZE<br>B                       |

