



Distributor of Molex Connector Corporation: Excellent Integrated System Limited
Datasheet of 0190060005 - Connector Quick Connect Receptacle 18-22 AWG 0.187"
(4.75mm) Crimp

Contact us: sales@integrated-circuit.com Website: www.integrated-circuit.com

Excellent Integrated System Limited

Stocking Distributor

Click to view price, real time Inventory, Delivery & Lifecycle Information:

[Molex Connector Corporation](#)
[0190060005](#)

For any questions, you can email us directly:
sales@integrated-circuit.com



Distributor of Molex Connector Corporation: Excellent Integrated System Limited

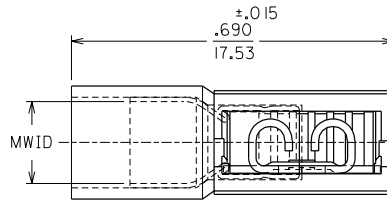
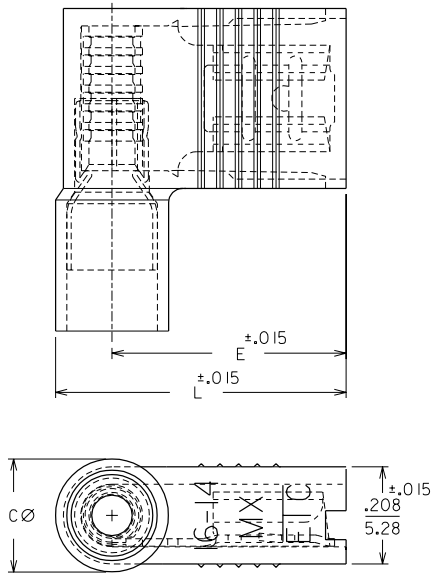
Datasheet of 0190060005 - Connector Quick Connect Receptacle 18-22 AWG 0.187"

(4.75mm) Crimp

PART NO.	AWG	COLOR	MWID	WIRE DIA	WIRE SIZE	L	E	C
AA-5222	22-18	RED	.150/3.81	.187X.020	.620/15.75	.512/13.00	.222/5.64	
AA-5223	22-18	RED	.150/3.81	.187X.032	.620/15.75	.512/13.00	.222/5.64	
BB-5224	16-14	BLUE	.170/4.32	.187X.020	.620/15.75	.500/12.70	.242/6.15	
BB-5225	16-14	BLUE	.170/4.32	.187X.032	.620/15.75	.500/12.70	.242/6.15	

Integrated-circuit.com Website: www.integrated-circuit.com

NOTES:
1. MWID = MAX. WIRE INSULATION DIA.
2. ALL DIMENSIONS = INCHES/MM



CUST. DWG.

L.T.R.	REVISIONS

DIMENSIONS SHOWN (METRIC/INCH) UNLESS OTHERWISE SPECIFIED TOLERANCES: ANGULAR ± 1/2°		REVISE ONLY ON CAD SYSTEM TITLE AVIKRIMP FLAG FULLY INSULATED .187X.020 & .032	
3 PLACE ± 2 PLACE ± 1 PLACE ±	INCH ± METRIC ±	ETC INC. PINELLAS PARK, FLA. 33781 U.S.A.	SHEET NO. 08/26/93 DATE
DRAFT WHERE APPLICABLE MUST REMAIN WITHIN DIMENSIONS		PART NO. SEE TABLE FILE NAME CDFLA187CST	DRWG. NO. CUST. DWG.
DRWG. BY RCM APP'D. BY FP	CHK'D. BY JM SCALE NONE	THIS DRAWING CONTAINS INFORMATION THAT IS PROPRIETARY TO MOLEX-ETC INC. AND SHOULD NOT BE USED WITHOUT WRITTEN PERMISSION.	
			DIV. B SIZE B