

Excellent Integrated System Limited

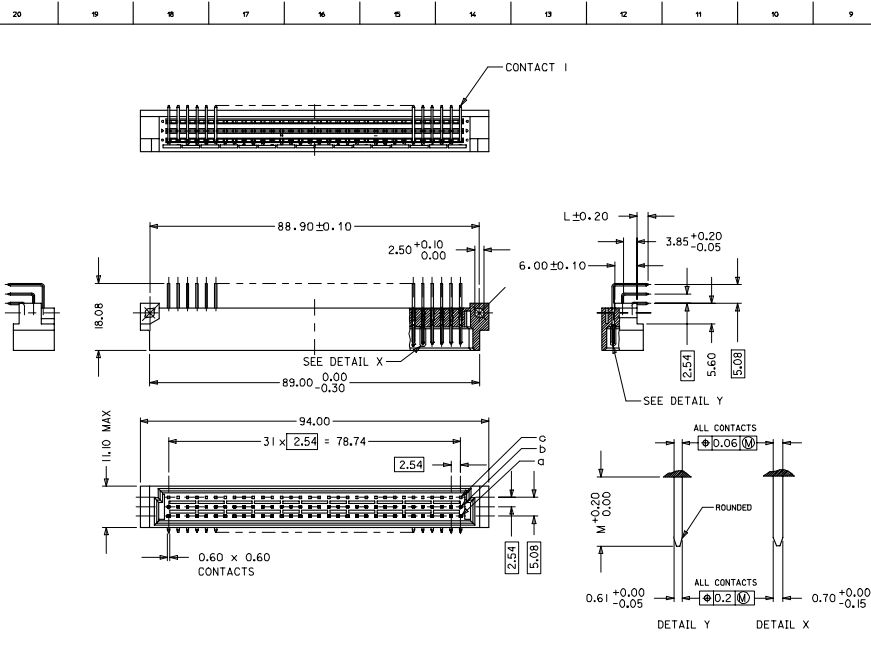
Stocking Distributor

Click to view price, real time Inventory, Delivery & Lifecycle Information:

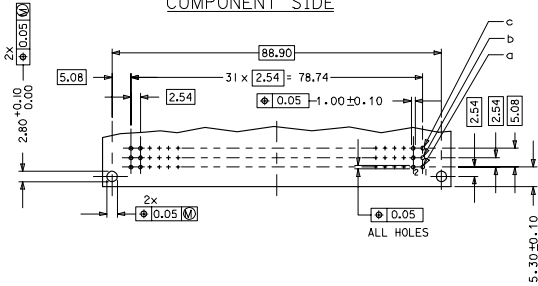
[Molex Connector Corporation](#)
[0850037081](#)

For any questions, you can email us directly:

sales@integrated-circuit.com



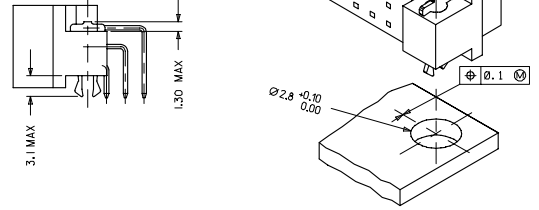
**RECOMMENDED PCB LAYOUT
COMPONENT SIDE**



LMFB CONTACTS	4,2
FMLB CONTACTS	5,4
NORMAL CONTACTS	4,8
	M

WITH MOUNTING CLIPS

8:1



NOTES:

- MATERIALS: THERMX (PCT), GLASS FILLED, UL94V-0, COLOR ± NATURAL
TERMINAL - BRASS
MOUNTING CLIP: STEEL
- FINISH: CONTACT AREA
1. PERFORMANCE LEVEL 1: SELECTIVE GOLD (Au), THICKNESS = 11 MICROMETER OVER NICKEL, THICKNESS = 1.25 MICROMETER
2. PERFORMANCE LEVEL 2: SELECTIVE GOLD (Au), THICKNESS = 0.6 MICROMETER OVER NICKEL, THICKNESS = 1.25 MICROMETER
3. PERFORMANCE LEVEL 3: SELECTIVE GOLD (Au), THICKNESS = 0.3 MICROMETER OVER NICKEL, THICKNESS = 1.25 MICROMETER
- TERMINATION AREA ± SELECTIVE TIN, THICKNESS = 2.5 MICROMETER OVER NICKEL, THICKNESS = 1.25 MICROMETER OVERALL
- MOUNTING CLIP:
TIN (Sn), THICKNESS = 5-10 MICROMETER, OVER NICKEL (Ni), THICKNESS = 2.5 MICROMETER
- FOR NON MOUNTING CLIP OPTION, CONNECTOR TO BE SECURED WITH RIVETS: 2 TUBULAR RIVETS 2.5 x 0.3 ... DIN 7340
SCREWS: 2 CHEESEHEAD SCREWS M2.5 x ... DIN 84 AND 2 HEXAGONAL NUTS M2.5 DIN 934
- STANDARD MARKING: MOLEX, MATERIAL NUMBER, BATCH CODE
- CUT FACE OF TIP WITHOUT PLATING PERMITTED
- PRODUCT SPECIFICATION PS : 85003-0001

RoHS COMPLIANT

ENTER DESCRIPTION EC NO: 02007-0993 DRAWING NO: 2001/05/03 APPROVED BY: [Signature] DATE: 2001/05/03	QUALITY SYMBOLS	GENERAL TOLERANCES (UNLESS SPECIFIED)	DIMENSION STYLE	SCALE	DESIGN UNITS	THIRD ANGLE PROJECTION
	▼=0 ∇=0	4 PLACES ± --- ± --- 3 PLACES ± 0.05 ± --- 2 PLACES ± 0.1 ± --- 1 PLACE ± 0.15 ± --- ANGULAR ± 2 °	MM ONLY DRAWN BY: SS DATE: 2001/05/03 CHECKED BY: [Signature] DATE: 2001/05/03 APPROVED BY: [Signature] DATE: 2001/05/03 GJLOWE	2:1	METRIC	
	DRAFT WHERE APPLICABLE MUST REMAIN WITHIN DIMENSIONS	SEE CHART MOLEX INCORPORATED AND SHOULD NOT BE USED WITHOUT WRITTEN PERMISSION	MATERIAL NO: SD-85003-0001 DOCUMENT NO: 6 OF 12	MOLEX INCORPORATED	96 POS. MALE CONNECTOR ACC. DIN 41612 STYLE C CONTACTS	MOLEX INCORPORATED
	C1	SD-85003-0001	MOLEX INCORPORATED	MOLEX INCORPORATED	MOLEX INCORPORATED	MOLEX INCORPORATED

