

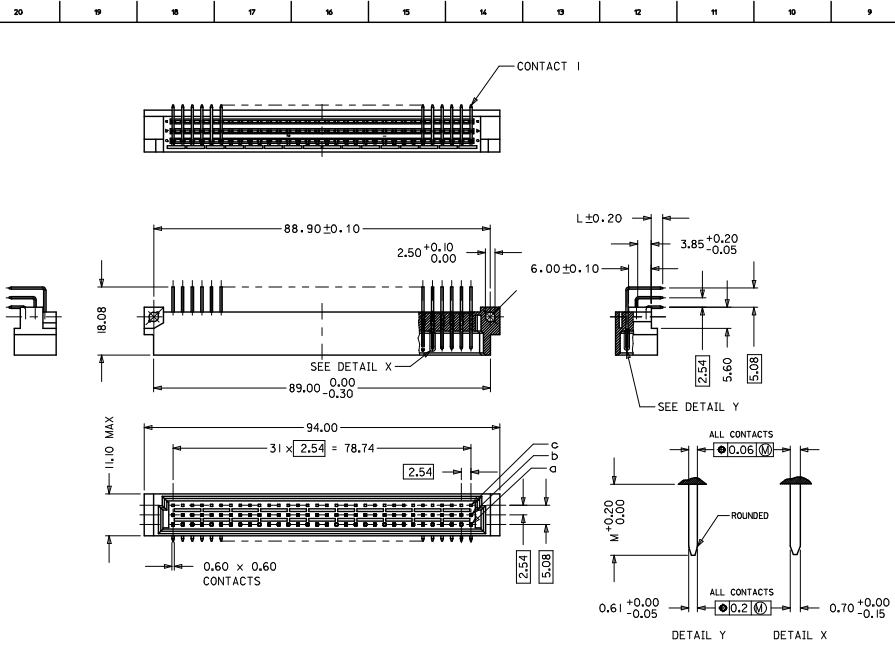
Excellent Integrated System Limited

Stocking Distributor

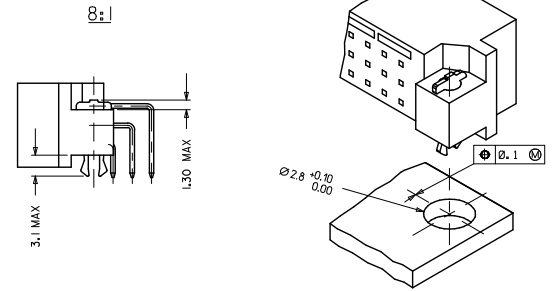
Click to view price, real time Inventory, Delivery & Lifecycle Information:

[Molex Connector Corporation](#)
[0850039036](#)

For any questions, you can email us directly:
sales@integrated-circuit.com



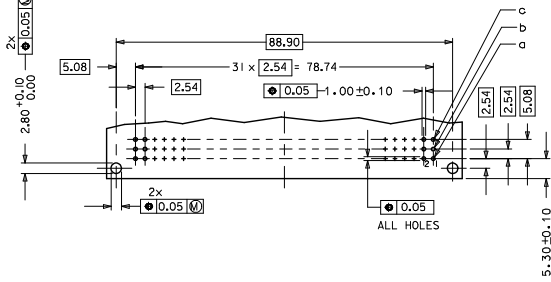
WITH MOUNTING CLIPS



NOTES:

- 1) MATERIALS: THERMX (PCT), GLASS FILLED, UL94V-0, COLOR : NATURAL
TERMINAL - BRASS
MOUNTING CLIP: STEEL
- 2) FINISH: CONTACT AREA
 1. PERFORMANCE LEVEL 1: SELECTIVE GOLD (Au), THICKNESS = 1.1 MICROMETER
OVER NICKEL, THICKNESS = 1.25 MICROMETER
 2. PERFORMANCE LEVEL 2: SELECTIVE GOLD (Au), THICKNESS = 0.6 MICROMETER
OVER NICKEL, THICKNESS = 1.25 MICROMETER
 3. PERFORMANCE LEVEL 3: SELECTIVE GOLD (Au), THICKNESS = 0.3 MICROMETER
OVER NICKEL, THICKNESS = 1.25 MICROMETER
- TERMINATION AREA : SELECTIVE TIN, THICKNESS = 2.5 MICROMETER
OVER NICKEL, THICKNESS = 1.25 MICROMETER OVERALL
- 3) MOUNTING CLIP:-
TIN (Sn), THICKNESS = 5-10 MICROMETER,
OVER NICKEL (Ni), THICKNESS = 2.5 MICROMETER
- 4) FOR NON MOUNTING CLIP OPTION, CONNECTOR TO BE SECURED WITH
RIVETS: 2 TUBULAR RIVETS 2.5 x 0.3 ... DIN 7340
SCREWS: 2 CHEESEHEAD SCREWS M2.5 x ... DIN 84 AND 2 HEXAGONAL NUTS M2.5 DIN 934
- 5) STANDARD MARKING : MOLEX, MATERIAL NUMBER, BATCH CODE
- 6) CUT FACE OF TIP WITHOUT PLATING PERMITTED
- 7) PRODUCT SPECIFICATION PS : 85003-0001

**RECOMMENDED PCB LAYOUT
COMPONENT SIDE**



LMFB CONTACTS	4,2
FMLB CONTACTS	5,2
NORMAL CONTACTS	4,8
	M

RoHS COMPLIANT

QUALITY SYMBOLS ▽=0 ▽=0.1 ▽=0.15 ANGLULAR ± 2°	GENERAL TOLERANCES (UNLESS SPECIFIED) mm INCH		DIMENSION STYLE MM ONLY	SCALE 2:1	DESIGN UNITS METRIC	THIRD ANGLE PROJECTION
	4 PLACES ± 0.15	± 0.005	DRAWN BY SUDHIR	DATE 2005/04/22	TITLE 96 POS. MALE CONNECTOR ACC. DIN 41612 STYLE C CONTACTS, HIGH TEMP CONN	
	3 PLACES ± 0.1	± 0.005	CHECKED BY KPRASAD	DATE 2005/04/22	MOLEX INCORPORATED	
	1 PLACE ± 0.15	± 0.005	APPROVED BY KPRASAD	DATE 2005/04/22	MATERIAL NO. SD-85003-0001	DOCUMENT NO. SD-85003-0001
DRAFT WHERE APPLICABLE MUST REMAIN WITHIN DIMENSIONS		SEE CHART		THIS DRAWING CONTAINS INFORMATION THAT IS PROPRIETARY TO MOLEX INCORPORATED AND SHOULD NOT BE USED WITHOUT WRITTEN PERMISSION		

