

## Excellent Integrated System Limited

Stocking Distributor

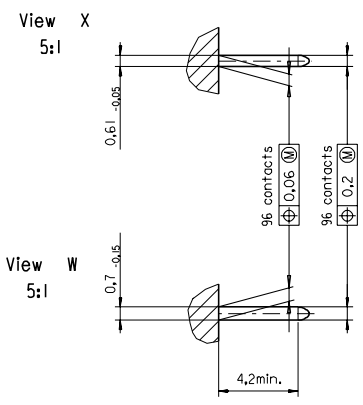
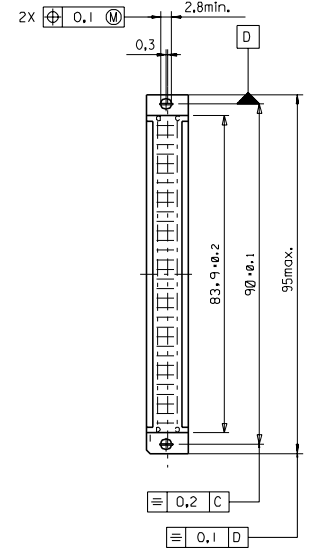
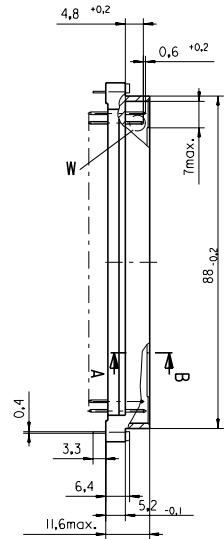
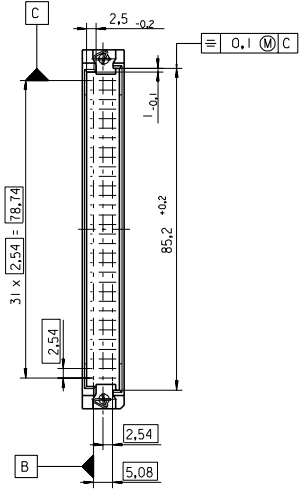
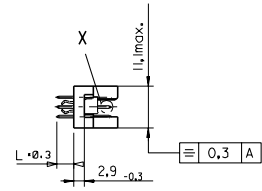
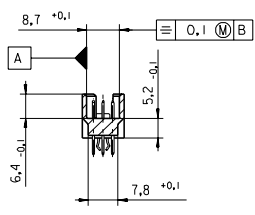
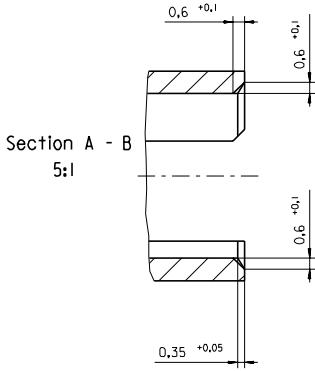
Click to view price, real time Inventory, Delivery & Lifecycle Information:

[Molex Connector Corporation](#)  
[0850130012](#)

For any questions, you can email us directly:

[sales@integrated-circuit.com](mailto:sales@integrated-circuit.com)





FIRST ANGLE PROJECTION		REVISE ONLY ON CAD SYSTEM		SH. REV.	
first release see ECN No. 1887	REVISIONS FOR PREVIOUS REVISIONS SEE MR. LIST	UNLESS OTHERWISE SPECIFIED TOLERANCES: ANGULAR ±2° INCH METRIC	CAD/CAM PROJECT NAME 85013000 s11	THIS DRAWING CONTAINS INFORMATION THAT IS PROPRIETARY TO MOLEX INC. & SHOULD NOT BE USED WITHOUT WRITTEN PERMISSION	
		3 PLACE ± . ± 2 PLACE ± . ± 1 PLACE ± . ±	DRAWN BY Ca SIGN	TITLE 96 pos. Male connector acc. DIN 41612 Style R Dimensions	
		DRAFT WHERE APPLICABLE MUST REMAIN WITHIN DIMENSIONS DESIGN DIMENSION <input checked="" type="checkbox"/> MM <input type="checkbox"/> IN. EQUIVALENT DIMENSION <input type="checkbox"/> MM <input type="checkbox"/> IN.	CHECK'D BY KN SIGN	SHEET NO. DATE 1 OF 95/06/07	
A	LTR	SCALE 1:1	PART NO. SDA-85013-0001	DWG. NO. SDA-85013-0001	SIZE B

