

Excellent Integrated System Limited

Stocking Distributor

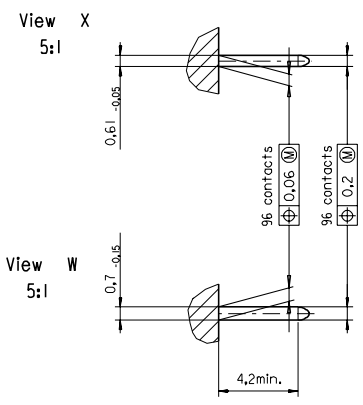
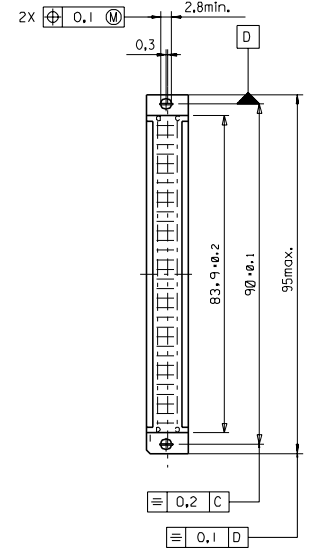
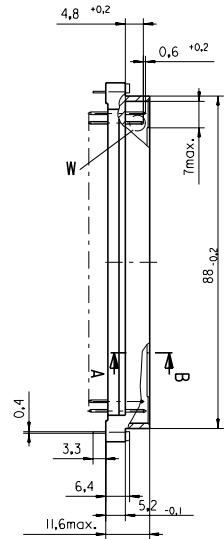
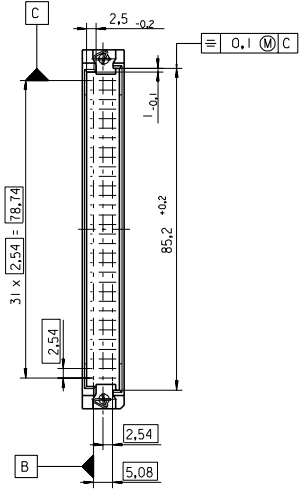
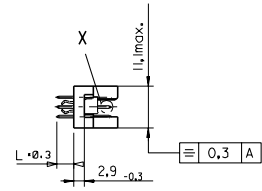
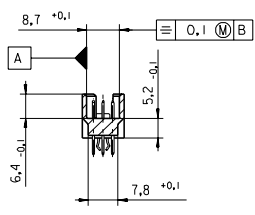
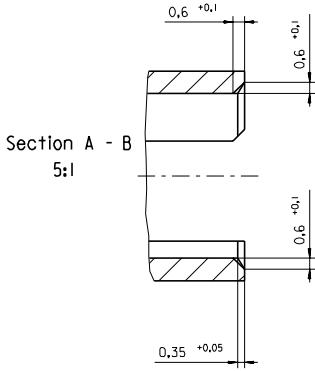
Click to view price, real time Inventory, Delivery & Lifecycle Information:

[Molex Connector Corporation](#)

[0850132385](#)

For any questions, you can email us directly:

sales@integrated-circuit.com



FIRST ANGLE PROJECTION REVISE ONLY ON CAD SYSTEM SH. REV.

first release see ECN No. 1887	REVISIONS FOR PREVIOUS REVISIONS SEE MR. LIST	UNLESS OTHERWISE SPECIFIED TOLERANCES: ANGULAR ±2°	DRWG BY SIGN	CAD/CAM PROJECT NAME 85015000 s11	THIS DRAWING CONTAINS INFORMATION THAT IS PROPRIETARY TO MOLEX INC. & SHOULD NOT BE USED WITHOUT WRITTEN PERMISSION	SH. REV.
		INCH METRIC	CHK'D BY SIGN	TITLE 96 pos. Male connector acc. DIN 41612 Style R Dimensions		
A	LTR	3 PLACE ± . ±	Ca	MOLEX EUROPE	SHEET NO. DATE 1 OF 95/06/07	SIZE B
		2 PLACE ± . ±	KN			
		1 PLACE ± . ±	SCALE	PART NO.	DWG NO.	
		DRAFT WHERE APPLICABLE MUST REMAIN WITHIN DIMENSIONS	1:1	SDA-85013-0001		
		DESIGN DIMENSION <input checked="" type="checkbox"/> MM <input type="checkbox"/> IN.				
		EQUIVALENT DIMENSION <input type="checkbox"/> MM <input type="checkbox"/> IN.				
		IF TWO DIMENSIONS ARE SHOWN, THE UPPER IS THE DESIGN DIMENSION, LOWER IS SECONDARY				

