

## Excellent Integrated System Limited

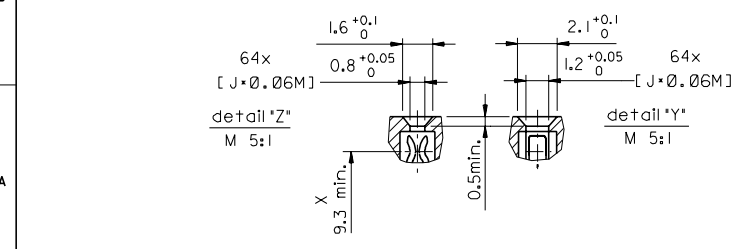
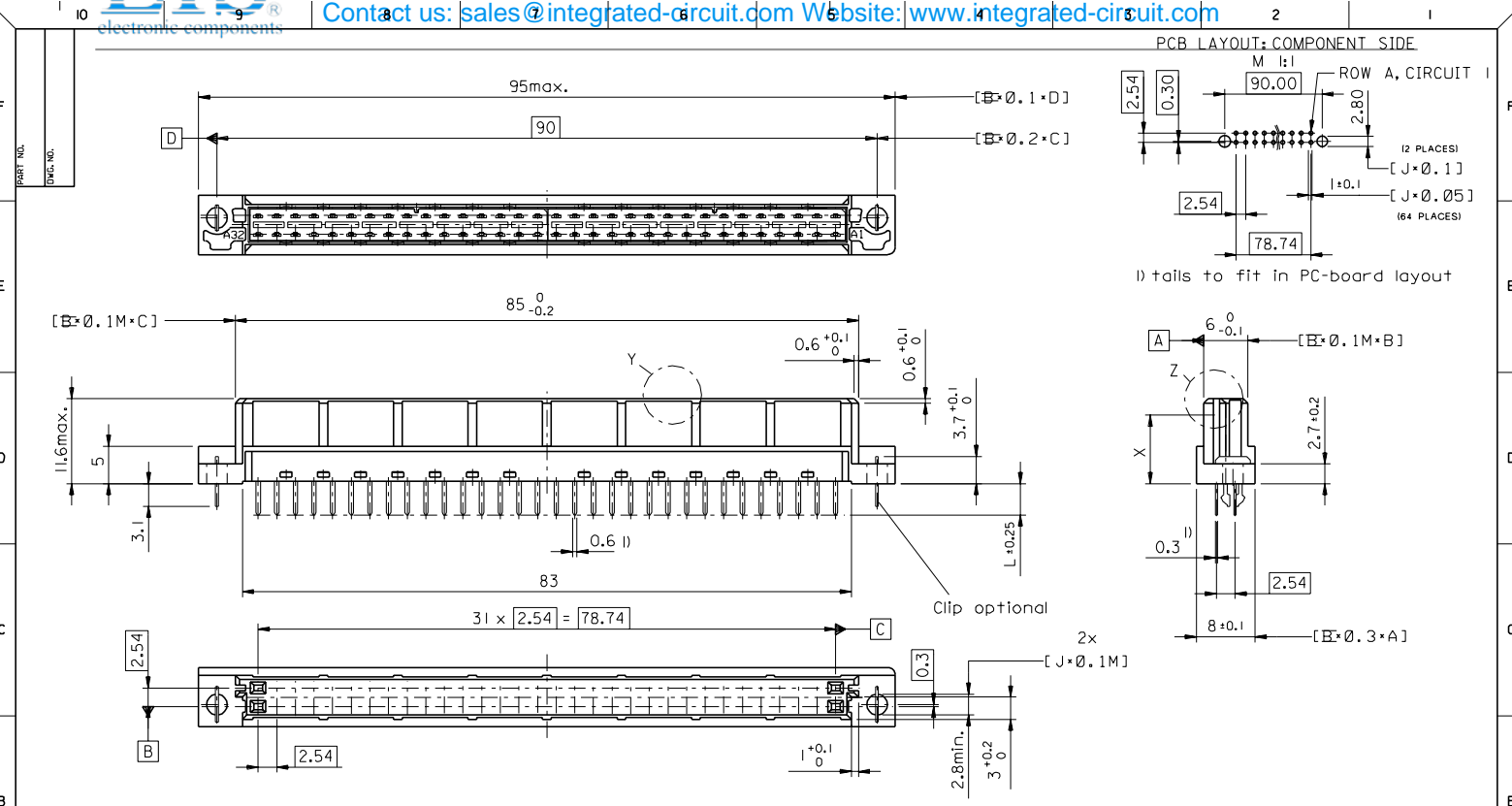
Stocking Distributor

Click to view price, real time Inventory, Delivery & Lifecycle Information:

[Molex Connector Corporation](#)  
[0850400414](#)

For any questions, you can email us directly:

[sales@integrated-circuit.com](mailto:sales@integrated-circuit.com)



ECN: MG 9598-2727 new fixing clip 98-04-14 CA	REVISIONS FOR PREVIOUS REVISIONS SEE MR. LIST	FIRST ANGLE PROJECTION		REVISE ONLY ON CAD SYSTEM		SH. REV.
		UNLESS OTHERWISE SPECIFIED TOLERANCES: ANGULAR ±2°	INCH	METRIC	CAD/CAM PROJECT NAME 85040000 s11	THIS DRAWING CONTAINS INFORMATION THAT IS PROPRIETARY TO MOLEX INC. & SHOULD NOT BE USED WITHOUT WRITTEN PERMISSION
LTR	3 PLACE ±	±	±	DRAWN BY KN	SIGN	TITLE 64 pos. Female connector DIN 41612 style B + clip Dimensions
	2 PLACE ±	±	±			
C	1 PLACE ±	±	±	APP'D BY JB	SIGN	SHEET NO. DATE 10F1 95/11/14
	DRAFT WHERE APPLICABLE MUST REMAIN WITHIN DIMENSIONS					
EQUIVALENT DIMENSION			<input type="checkbox"/> MM			
			<input type="checkbox"/> IN.			
IF TWO DIMENSIONS ARE GIVEN, THE UPPER IS THE DESIGN DIMENSION, LOWER IS SECONDARY			<input type="checkbox"/> MM			
			<input type="checkbox"/> IN.			

