

Excellent Integrated System Limited

Stocking Distributor

Click to view price, real time Inventory, Delivery & Lifecycle Information:

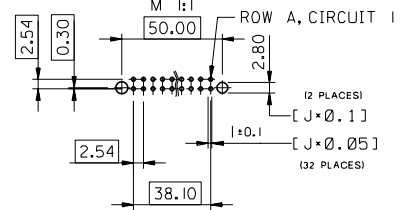
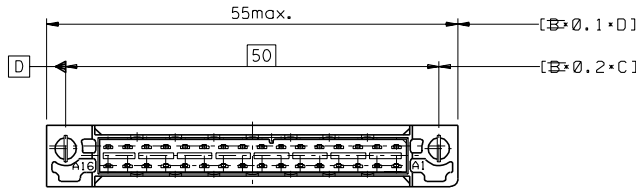
[Molex Connector Corporation](#)

[0850401079](#)

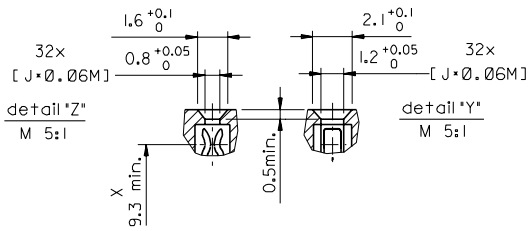
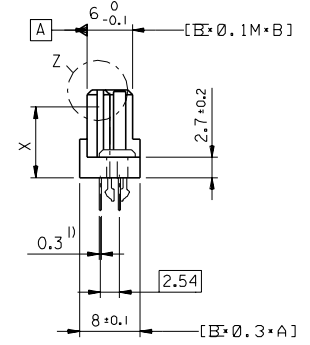
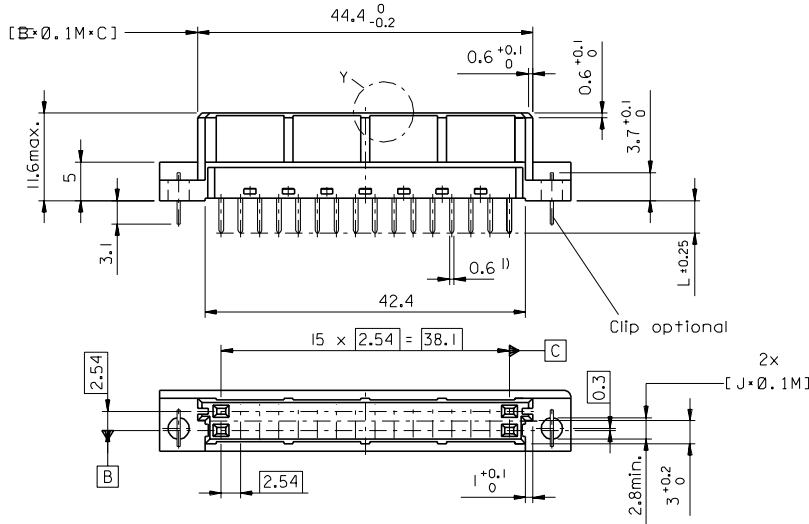
For any questions, you can email us directly:

sales@integrated-circuit.com

PCB LAYOUT: COMPONENT SIDE



1) tails to fit in PC-board layout



ECN: MG-9598-2727 new fixing clip 98-04-14 ca	L TR	FIRST ANGLE PROJECTION		REVISE ONLY ON CAD SYSTEM		SH.	REV.
		UNLESS OTHERWISE SPECIFIED TOLERANCES: ANGULAR ±2°		DRWG BY: KN	SIGN	CAD/CAM PROJECT NAME: 85040000	THIS DRAWING CONTAINS INFORMATION THAT IS PROPRIETARY TO MOLEX INC. & SHOULD NOT BE USED WITHOUT WRITTEN PERMISSION
REVISIONS	LIST	INCH	METRIC	CHK'D BY: Ca	SIGN	TITLE: 32pos. Female connector DIN 41612 style B/2, with clip, Dimensions	
3	PLACE ±	±	±	APP'D BY: FB	SIGN	MOLEX MOLEX EUROPE SHEET NO. DATE: 1 OF 1 96/04/23	
DRAFT WHERE APPLICABLE MUST REMAIN WITHIN DIMENSIONS		DESIGN DIMENSION	<input checked="" type="checkbox"/> MM <input type="checkbox"/> INL	SCALE: 2:1	PART NO.	DWG NO.	SIZE
EQUIVALENT DIMENSION		<input type="checkbox"/> MM <input type="checkbox"/> INL			SDA-85040-0002		B
IF TWO DIMENSIONS ARE GIVEN, THE UPPER IS THE DESIGN DIMENSION, LOWER IS SECONDARY							