

Excellent Integrated System Limited

Stocking Distributor

Click to view price, real time Inventory, Delivery & Lifecycle Information:

[Molex Connector Corporation](#)
[0190730216](#)

For any questions, you can email us directly:

sales@integrated-circuit.com

MATERIAL NUMBER	ENG. NO.	MATERIAL NUMBER TAPE MOUNTED	ENG. NO.	STUD SIZE	"S" ±.005	"W" MAX	"C" MIN	"L" MAX
190730179	C-830-10	190730180	C-830-10T	10	.198 (5.03)	.540 (13.72)	.393 (9.98)	1.258 (31.95)
190730188	C-830-14	190730190	C-830-14T	14	.265 (6.73)			
190730200	C-830-56	190730201	C-830-56T	56	.328 (8.33)			
190730212	C-836-04	190730213	C-836-04T	04	.119 (3.02)	.292 (7.42)	.306 (7.77)	1.047 (26.59)
190730216	C-836-06	190730218	C-836-06T	06	.146 (3.71)			
190730222	C-836-08	190730224	C-836-08T	08	.173 (4.39)			
190730227	C-840-10	190730228	C-840-10T	10	.198 (5.03)	.602 (15.29)	.466 (11.83)	1.362 (34.59)
190730231	C-840-14	190730232	C-840-14T	14	.265 (6.73)			
190730236	C-840-38	190730237	C-840-38T	38	.390 (9.91)			
190730242	C-840-56	190730243	C-840-56T	56	.328 (8.33)			

DIAGRAM FOR C-830-XX & C-840-XX PARTS

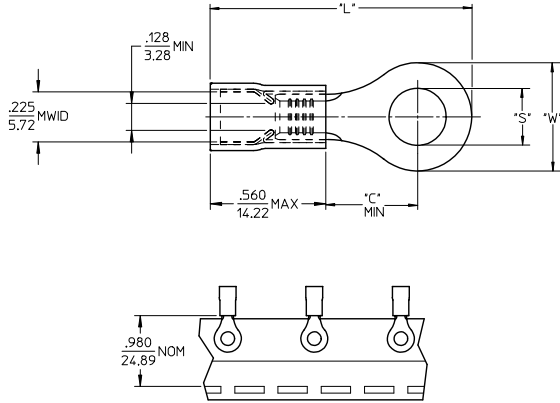
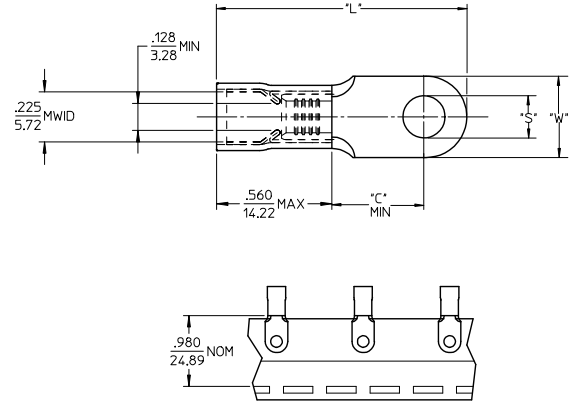


DIAGRAM FOR C-836-XX



SALES DRAWING

NOTES:

1. MATERIAL: COPPER (.040/1.02) THICK. PLATING: ELECTROPLATE TIN
2. FERRULE: TIN PLATED BRASS
3. INSULATION: YELLOW NYLON
4. M/WID-MAXIMUM WIRE INSULATION DIA.
5. ALL DIMENSIONS IN INCHES (MM).
6. WIRE SIZE: 12-10 AWG, 4.0-6.0 MM²
7. PARTS ARE ROHS COMPLIANT.

ADD 2ND DIAGRAM EC NO: IPG2016-0998 DRAWN BY: JASOT 2016/01/14 CHKD: MALONEIL 2016/01/14 APPR: MALONEIL 2016/01/20 DESCRIPTION:	QUALITY SYMBOLS	GENERAL TOLERANCES (UNLESS SPECIFIED)	DIMENSION STYLE	SCALE	DESIGN UNITS	THIRD ANGLE PROJECTION																			
	▼=0 ▽=0	<table border="1"> <thead> <tr> <th></th> <th>mm</th> <th>INCH</th> </tr> </thead> <tbody> <tr> <td>4 PLACES</td> <td>±---</td> <td>±---</td> </tr> <tr> <td>3 PLACES</td> <td>±---</td> <td>±.005</td> </tr> <tr> <td>2 PLACES</td> <td>±0.13</td> <td>±.01</td> </tr> <tr> <td>1 PLACE</td> <td>±0.25</td> <td>±---</td> </tr> <tr> <td>0 PLACE</td> <td>±</td> <td>±</td> </tr> </tbody> </table>		mm	INCH	4 PLACES	±---	±---	3 PLACES	±---	±.005	2 PLACES	±0.13	±.01	1 PLACE	±0.25	±---	0 PLACE	±	±	IN/MM	INCH	INCH	DRAWN BY: DMYRICK 03/12/15 CHECKED BY: SBEITZEL 03/12/15 APPROVED BY: RDEROSS 03/12/15	TITLE: RING TONGUE TERMINAL AVIKRIMP, 800-SERIES 12-10 AWG AVIKRIMP 12-10 molex
		mm	INCH																						
	4 PLACES	±---	±---																						
3 PLACES	±---	±.005																							
2 PLACES	±0.13	±.01																							
1 PLACE	±0.25	±---																							
0 PLACE	±	±																							
ANGULAR ± 1 ° DRAFT WHERE APPLICABLE MUST REMAIN WITHIN DIMENSIONS	MATERIAL NO. ENTER PART	DOCUMENT NO. SD-19073-008	SHEET NO. 1 OF 00																						
REV	THIS DRAWING CONTAINS INFORMATION THAT IS PROPRIETARY TO MOLEX INCORPORATED AND SHOULD NOT BE USED WITHOUT WRITTEN PERMISSION																								