

Excellent Integrated System Limited

Stocking Distributor

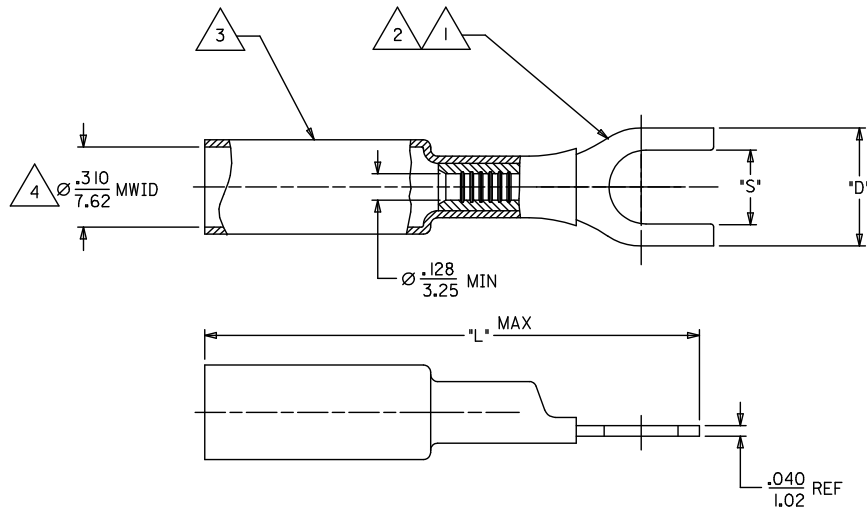
Click to view price, real time Inventory, Delivery & Lifecycle Information:

[Molex Connector Corporation](#)
[19164-0072](#)

For any questions, you can email us directly:

sales@integrated-circuit.com

MATERIAL NUMBER	ENGINEERING NUMBER	STUD SIZE	SLOT "S" ±.010 ±0.25	"D" MAX	"L" MAX
191640069	SC-241-06	#6	.146/3.71	.39/9.9	1.39/35.3
191640070	SC-241-08	#8	.173/4.39	.39/9.9	1.39/35.3
191640071	SC-241-10	#10	.198/5.03	.39/9.9	1.39/35.3



- NOTES:
- 1. TERMINAL MATERIAL: COPPER ALLOY
 - 2. FINISH: ELECTRO TIN PLATE.
 - 3. INSULATION MATERIAL: HEAT SHRINKABLE TUBING WITH HOTMELT ADHESIVE INNER LINER. COLOR: YELLOW
 - 4. MWID = MAXIMUM WIRE INSULATION DIAMETER.
 - 5. PARTS ARE ROHS COMPLIANT.

SALES DRAWING

ORIGINALLY DRAWN BY BRE 2002/08/20

UPDATE PART NUMBER EC NO: 1916400-0066 DRAWN: GROJAS01 2015/03/03 CHKD: JMACNEIL 2015/03/03 APPR: JMACNEIL 2015/03/17	QUALITY SYMBOLS ▽=0 ▽=0	GENERAL TOLERANCES (UNLESS SPECIFIED)		DIMENSION STYLE IN/MM		SCALE ---	DESIGN UNITS INCH	THIRD ANGLE PROJECTION	
		mm	INCH	DRAWN BY GROJAS01	DATE 2015/03/03	TITLE	SPADE TONGUE TERMINAL PERMA-SEAL 12-10 AWG		
A1	REV	4 PLACES ±	±	CHECKED BY JMACNEIL	DATE 2015/03/03				
		3 PLACES ±	±	APPROVED BY	DATE				
		2 PLACES ±	±	MATERIAL NO. SEE CHART		DOCUMENT NO. SD-19164-048	SHEET NO. 1 OF 1		
		1 PLACE ±	±	THIS DRAWING CONTAINS INFORMATION THAT IS PROPRIETARY TO MOLEX INCORPORATED AND SHOULD NOT BE USED WITHOUT WRITTEN PERMISSION					
		0 PLACE ±	±						