

Excellent Integrated System Limited

Stocking Distributor

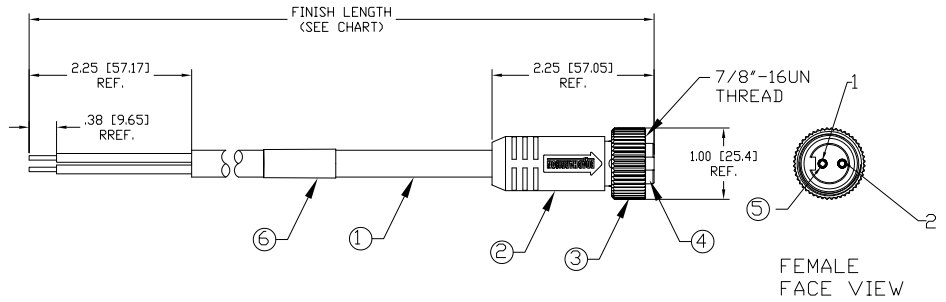
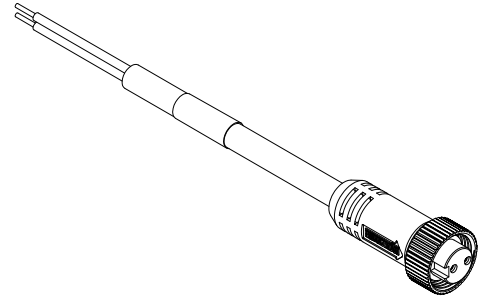
Click to view price, real time Inventory, Delivery & Lifecycle Information:

[Molex Connector Corporation](#)
[1300060099](#)

For any questions, you can email us directly:

sales@integrated-circuit.com

PART NUMBER	ENGINEERING NUMBER	FINISH LENGTH
1300060088	102000A01F030	3.00' +1.75' -0 [1.9M +44.5 -0]
1300060091	102000A01F060	6.00' +3.50' -0 [1.8M +88.9 -0]
1300060096	102000A01F120	12.00' +6.50' -0 [3.7M +165.1 -0]
1300060099	102000A01F150	15.00' +6.50' -0 [4.6M +165.1 -0]
1300060102	102000A01F200	20.00' +6.50' -0 [6.1M +165.1 -0]
1300060105	102000A01F250	25.00' +12.50' -0 [7.6M +317.5 -0]
1300060108	102000A01F300	30.00' +12.50' -0 [9.1M +317.5 -0]
1300060111	102000A01F400	40.00' +12.50' -0 [12.2M +317.5 -0]
1300060112	102000A01F500	50.00' +24.50' -0 [15.2M +622.3 -0]



P1

1	WHITE
2	BLACK

WIRING DIAGRAM

NOTE

- 1) MATERIAL: SEE TABLE
- 2) FINISHES: SEE TABLE
- 3) WRAP LABEL IS MARKED WITH P/N, DATE CODE, VOLTAGE & AMPERAGE
- 4) MATES WITH: MINI CHANGE, 2 POLE RECEPTACLE
- 5) ELECTRICAL DATA:
 INLINE CORDSET
 FEMALE A-SIZE WITH FLYING LEADS
 16AWG UNSHIELDED
 POLES: 2
 MAX. VOLTAGE: 600V
 MAX. CURRENT 13A
 PROTECTION IP67
 TEMPERATURE RANGE: -20°C TO 105°C
- 6) PACKAGING:
 CABLE ASSEMBLIES ARE BAGGED SEPERATELY
 IN POLY BAGS WITH BAR CODE LABEL ATTACHED
 TO OUTSIDE OF BAG.
- 7) ASSEMBLY IS RoHS COMPLIANT.
- 8) CERTIFICATION
 UL RECOGNIZED, FILE NO. E152210
 CSA CERTIFIED, FILE NO. LR6837

ITEM	QTY.	DESCRIPTION	MATERIAL	FINISH
6	1	LABEL	PLASTIC FILM	BLACK/YELLOW
5	2	CONTACT SOCKET	COPPER ALLOY	GOLD PLATED
4	1	INSERT	PVC	YELLOW
3	1	COUPLING NUT	ZINC DIE CAST	BLACKE-COATED
2	1	DVERMOLD	PVC	YELLOW
1	1	CABLE, 16AWG-2 TYPE ST00W	PVC	YELLOW

RELEASE EC NO: WMA2010-0025 DRAWN: TWOLDEGE CHECK: BWOODMAN APPR: JHURPHY 2009/07/09 DESCRIPTION A	QUALITY SYMBOL ▽=0 ▽=0	GENERAL TOLERANCES (UNLESS SPECIFIED)		DIMENSION STYLE IN/MM		SCALE 1:1	DESIGN UNITS INCH	THIRD ANGLE PROJECTION	
		4 PLACES ±.005 ±.005	mm INCH	DRAWN BY TWOLDEGE	DATE 2009/07/09	TITLE MINI CHANGE ASSEMBLY 2-POLE FEMALE ST 16/2AWG PVC			
		3 PLACES ±.005 ±.005		CHECKED BY BWOODMAN	DATE 2009/07/09	MOLEX INCORPORATED			
		2 PLACES ±.013 ±.010 1 PLACE ±.025 ±.020 ANGULAR ±1/2°		APPROVED BY SEE CHART	DATE	MATERIAL NO. SD-130006-007	DOCUMENT NO.	SHEET NO. 1 OF 1	THIS DRAWING CONTAINS INFORMATION THAT IS PROPRIETARY TO MOLEX INCORPORATED AND SHOULD NOT BE USED WITHOUT WRITTEN PERMISSION