



Distributor of Molex Connector Corporation: Excellent Integrated System Limited
Datasheet of 0192730007 - Connector Quick Connect Receptacle 18-22 AWG 0.250"
(6.35mm) Crimp

Contact us: sales@integrated-circuit.com Website: www.integrated-circuit.com

Excellent Integrated System Limited

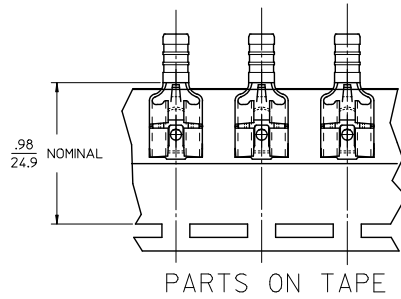
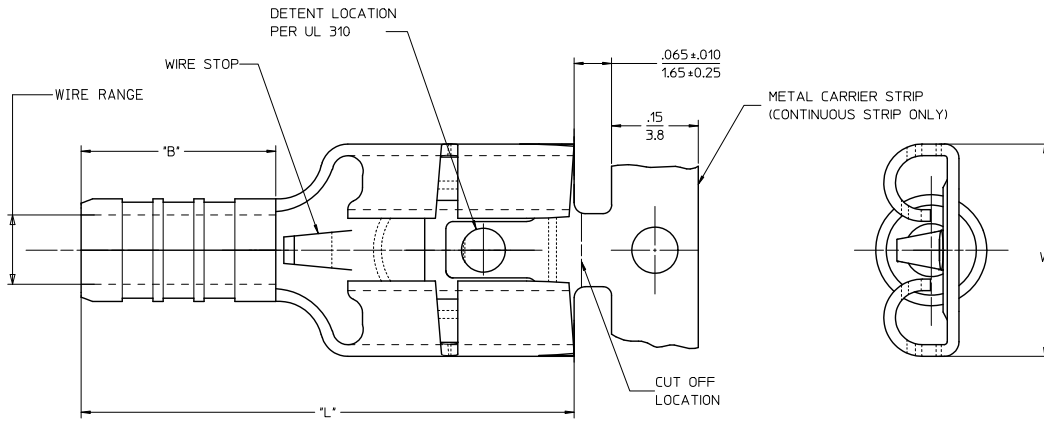
Stocking Distributor

Click to view price, real time Inventory, Delivery & Lifecycle Information:

[Molex Connector Corporation](#)
[0192730007](#)

For any questions, you can email us directly:
sales@integrated-circuit.com

LOOSE PIECE		TAPE MOUNTED		SPECIFICATIONS						
MATERIAL NUMBER	ENGINEERING NUMBER	MATERIAL NUMBER	ENGINEERING NUMBER	WIRE RANGE AWG	WIRE RANGE MM	WIRE RANGE TAB SIZE	WIRE RANGE THICKNESS	WIRE RANGE MAX.	WIRE RANGE MAX.	WIRE RANGE MAX.
192730007	AA-1140-LIF	192730009	AA-1140T-LIF	22-18/	0.25-1.5	.250x.032 / 6.35x0.81	.016 / 0.41	.67 / 17.0	.21 / 5.3	.31 / 7.9
192730008	BB-1141-LIF	192730010	BB-1141T-LIF	16-14/	1.0-2.5	.250x.032 / 6.35x0.81	.016 / 0.41	.67 / 17.0	.21 / 5.3	.31 / 7.9



NOTES:

1. MATERIALS:
TERMINAL: MATTE-TIN PLATED BRASS
2. PRODUCT SPECIFICATION: PS-19902-012
3. PARTS ARE ROHS COMPLIANT

FERRULE DESCR. CONT. P/N EC NO: VINA2009-07/61 DRAWN: ETHRODAHL 2010/10/01 CHKD: JMACNEIL 2010/10/01 APPR: JMACNEIL 2011/01/06 REV A	QUALITY SYMBOLS ▽=0 ▽=0	GENERAL TOLERANCES (UNLESS SPECIFIED)		DIMENSION STYLE		SCALE	DESIGN UNITS	THIRD ANGLE PROJECTION
				IN/MM		---	INCH	
		4 PLACES ± --- ± ---	DRAWN BY ETHRODAHL	DATE 2010/10/01	TITLE QUIXON LOW INSERT FORCE UNINSULATED QUICK DISC KRIMPTITE 22-14 AWG			
		3 PLACES ± --- ± .005	CHECKED BY JMACNEIL	DATE 2010/10/01	MOLEX INCORPORATED			
2 PLACES ± 0.13 ± .010	APPROVED BY JMACNEIL	DATE 2011/01/06	MATERIAL NO. SEE CHART		DOCUMENT NO. SD-19273-001	SHEET NO. 1 OF 1		
1 PLACE ± 0.25 ± .020	ANGULAR ± 1/2°		DRAFT WHERE APPLICABLE MUST REMAIN WITHIN DIMENSIONS					
THIS DRAWING CONTAINS INFORMATION THAT IS PROPRIETARY TO MOLEX INCORPORATED AND SHOULD NOT BE USED WITHOUT WRITTEN PERMISSION								