

Excellent Integrated System Limited

Stocking Distributor

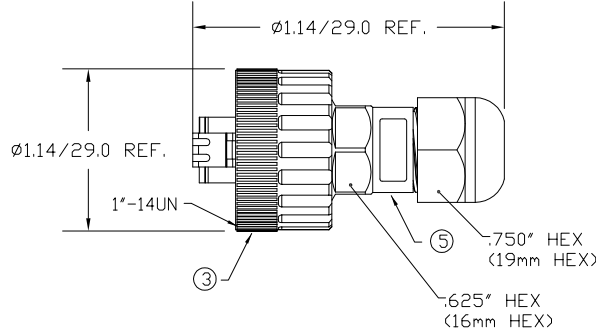
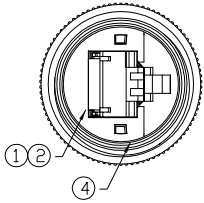
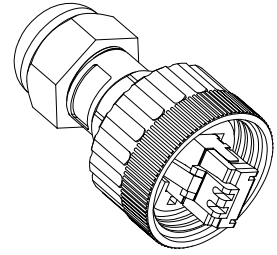
Click to view price, real time Inventory, Delivery & Lifecycle Information:

[Molex Connector Corporation](#)
[1300570001](#)

For any questions, you can email us directly:

sales@integrated-circuit.com

| MATERIAL NUMBER | OLD PART NUMBER |
|-----------------|-----------------|
| 130057-0001 | ENQAM315 |



| | |
|-----------------------|---------------|
| VOLTAGE RATING | 250 VAC/VDC |
| AMPERAGE RATING | 4 AMPS |
| PROTECTION | IP67 |
| OPERATING TEMPERATURE | -20°C TO 80°C |

| ITEM | COMPONENT | MATERIAL | FINISH |
|------|-----------------|---------------|------------------|
| 1 | CONTACT HOUSING | POLYCARBONATE | CLEAR |
| 2 | CONTACT PIN | COPPER ALLOY | GOLD OVER NICKEL |
| 3 | COUPLING NUT | ABS | BLACK |
| 4 | O-RING | VITON | BLACK |
| 5 | HOUSING | ABS | BLACK |

RLSD DRAWING
EC NO: WNA2009-0689
DRAWN: BWOODMAN 4/3/09
CHKD: JM
APPR: JFMURPHY 2009/04/17

| QUALITY SYMBOLS | GENERAL TOLERANCES (UNLESS SPECIFIED) | |
|-----------------|---|------|
| | mm | INCH |
| ▽=0 | 4 PLACES ±---- | ±--- |
| ▽C/=0 | 3 PLACES ±---- | ±--- |
| | 2 PLACES ±---- | ±.01 |
| | 1 PLACE ±0.3 | ±--- |
| | ANGULAR ±---° | |
| | DRAFT WHERE APPLICABLE MUST REMAIN WITHIN DIMENSIONS | |

| | | |
|--------------|------------|---------------------------------------|
| DRAWN BY | DATE | TITLE |
| BW | 2009/04/03 | RJ-LNXX ATTACHABLE FOR STRANDED CABLE |
| CHECKED BY | DATE | |
| TW | 2009/04/03 | |
| APPROVED BY | DATE | |
| | | |
| MATERIAL NO. | SEE CHART | |
| SIZE | A | |

| | | |
|---|---------------|------------------------|
| SCALE | DESIGN UNITS | THIRD ANGLE PROJECTION |
| --- | ---- | ☉ |
| MOLEX INCORPORATED | | |
| DOCUMENT NO. | SD-130057-001 | SHEET NO. 1 OF 1 |
| THIS DRAWING CONTAINS INFORMATION THAT IS PROPRIETARY TO MOLEX INCORPORATED AND SHOULD NOT BE USED WITHOUT WRITTEN PERMISSION | | |

6

5

4

3

2

1