

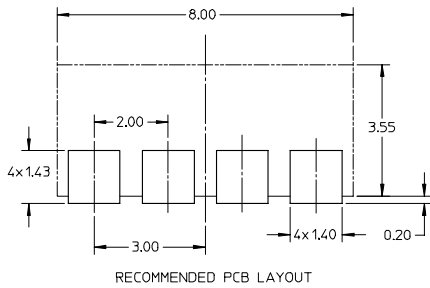
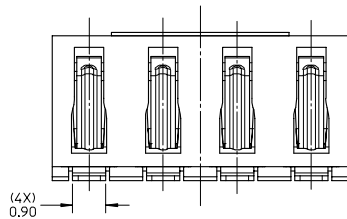
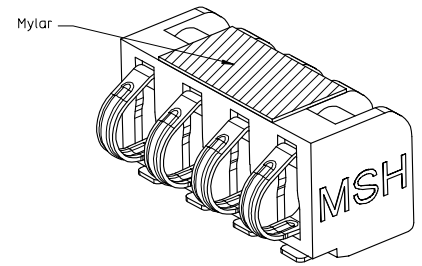
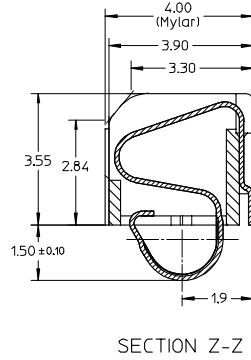
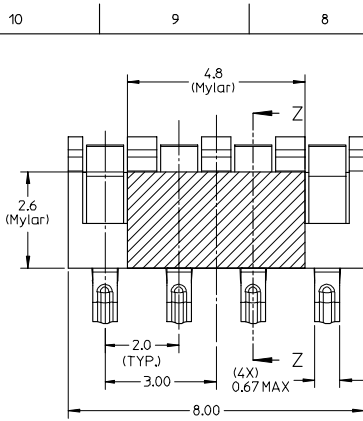
Excellent Integrated System Limited

Stocking Distributor

Click to view price, real time Inventory, Delivery & Lifecycle Information:

[Molex Connector Corporation](#)
[0475310001](#)

For any questions, you can email us directly:
sales@integrated-circuit.com



NOTE:

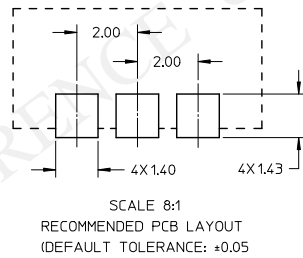
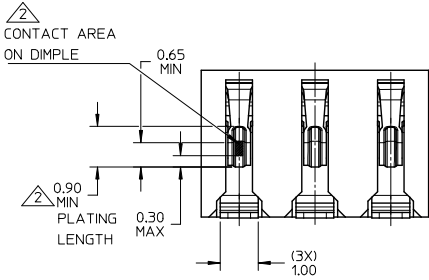
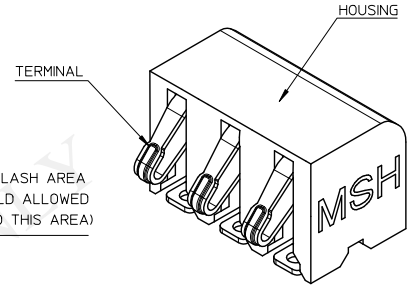
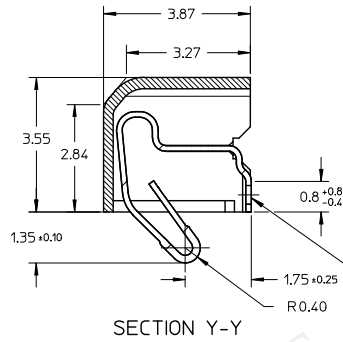
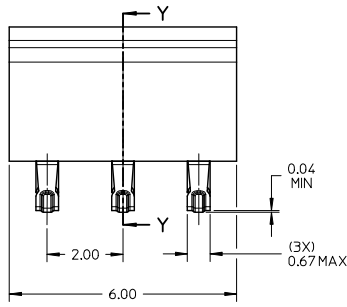
- MATERIAL:**
HOUSING: LCP, 30% GLASS-FILLED, UL 94V-0, COLOR IS BLACK
TERMINAL: COPPER ALLOY, 0.12 MM BeCu
- FINISH:**
CONTACT AREA: 30-50 MICRO INCHES GOLD PLATING OVER 50-140 MICRO INCHES NICKEL
SOLDER AREA: 3 MICRO MIN GOLD FLASH OVER 50-140 MICRO INCHES NICKEL
REST AREA: 50-140 MICRO INCHES NICKEL
- RECOMMENDED WORKING RANGE 1.05 ~ 0.55 MM.**
- COPLANARITY: 0.1 MAX AMONG THESE SOLDER TAILS.**
- PRODUCT SPECIFICATION: PS-47531-001**

QUALITY SYMBOLS	GENERAL TOLERANCES (UNLESS SPECIFIED)	
	mm	INCH
$\nabla=0$	4 PLACES ± 0.15	± 0.005
$\nabla=0$	3 PLACES ± 0.25	± 0.010
$\nabla=0$	2 PLACES ± 0.38	± 0.015
$\nabla=0$	1 PLACE ± 0.51	± 0.020
	ANGULAR ± 5 °	

DRAFT WHERE APPLICABLE MUST REMAIN WITHIN DIMENSIONS

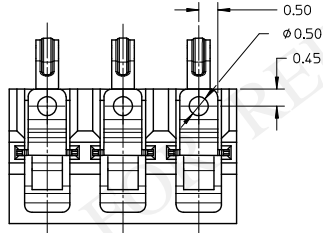
475310011	4 PIN BATTERY CONNECTOR WITHOUT MYLAR		
475310001	4 PIN BATTERY CONNECTOR WITH MYLAR		
PART NUMBER	DESCRIPTION		
DIMENSION STYLE	SCALE	DESIGN UNITS	THIRD ANGLE PROJECTION
MM ONLY	10:1	METRIC	
DRAWN BY	DATE	TITLE	
YLZHU02	2007/01/30	ASSEMBLY DRAWING	
CHECKED BY	DATE	4 PIN BATTERY CONNECTOR	
XIXU	2007/01/31	2.0MM PITCH	
APPROVED BY	DATE	MOLEX INCORPORATED	
JNCHEN	2007/01/31	SD-47531-001	
MATERIAL NO.	DOCUMENT NO.	SHEET NO.	
SEE TABLE	SD-47531-001	1 OF 1	

10 9 8 7 6 5 4 3 2 1



NOTES :

- MATERIAL :**
HOUSING: LCP, 30% GLASS FILLED, UL94V-0, COLOR: BLACK
TERMINAL: COPPER ALLOY, 0.15 BECU C17200 290 TM06
- FINISH :**
CONTACT AREA ON DIMPLE : 30 MICRO INCHES MIN GOLD PLATING OVER 50 MICRO INCHES MIN NICKEL.
GOLD FLASH ON PALTING LENGTH
SOLDER AREA : GOLD FLASH OVER 50 MICRO MIN INCHES NICKEL
REST AREA .50 MICRO INCHES MIN NICKEL
- RECOMMENED WORKING RANGE 1.05-0.55 MM.
- COPLANARITY : 0.08MAX AMONG THESE SOLDER TAILS.
- PRODUCT SPECIFICATION : PS-47615-001.



PROPOSED EC NO: SHZ2013-0331 DRAWN: RL 09 CHKD: CHYK APPR: RL 09 REV 1	DESCRIPTION 2012/02/01 2013/04/10	QUALITY SYMBOLS	GENERAL TOLERANCES (UNLESS SPECIFIED)		DIMENSION STYLE MM ONLY		SCALE 10:1	DESIGN UNITS METRIC	THIRD ANGLE PROJECTION	
		▽=0	4 PLACES ± --- ± ---	mm	INCH	DRAWN BY RL 109	DATE 2012/02/01	TITLE 3 CKTS BATTERY CONNECTOR		
		▽=0	3 PLACES ± --- ± ---			CHECKED BY	DATE	APPROVED BY RL 109		
		▽=0	2 PLACES ± 0.25 ± ---					DATE 2013/04/10		
		1 PLACE ± 0.25 ± ---	ANGULAR ± 3 °		MATERIAL NO. 476150020		DOCUMENT NO. SD-47615-020		SHEET NO. 1 OF 1	
DRAFT WHERE APPLICABLE MUST REMAIN WITHIN DIMENSIONS			THIS DRAWING CONTAINS INFORMATION THAT IS PROPRIETARY TO MOLEX INCORPORATED AND SHOULD NOT BE USED WITHOUT WRITTEN PERMISSION							

9 8 7 6 5 4 3 2 1