



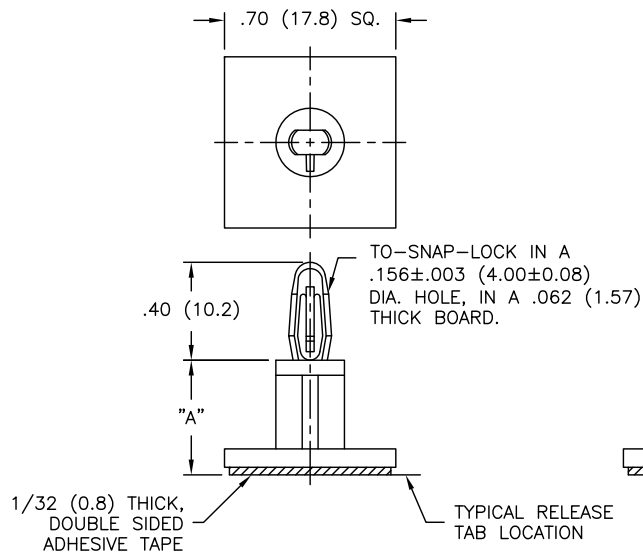
Excellent Integrated System Limited

Stocking Distributor

Click to view price, real time Inventory, Delivery & Lifecycle Information:

[Essentra Components \(formerly Richco, Inc.\)](#)
[LCBSB-8-01A-RT](#)

For any questions, you can email us directly:
sales@integrated-circuit.com



PART NO.	DIM "A" ±.015 (±0.4)
LCBSB-3-01A-RT	3/16 (4.8)
LCBSB-4-01A-RT	1/4 (6.4)
LCBSB-6-01A-RT	3/8 (9.5)
LCBSB-8-01A-RT	1/2 (12.7)
LCBSB-9-01A-RT	9/16 (14.3)
LCBSB-10-01A-RT	5/8 (15.9)
LCBSB-12-01A-RT	3/4 (19.1)
LCBSB-14-01A-RT	7/8 (22.2)
LCBSB-16-01A-RT	1 (25.4)
LCBSB-18-01A-RT	1-1/8 (28.6)

NOTES:

- MATERIAL: NYLON 6/6 (RMS-01), FLAME RETARDANT, NYLON (RMS-19), AVAILABLE BY SPECIAL ORDER ONLY.
- COLOR: NATURAL.
- ACRYLIC ADHESIVE TAPE (RMS-15), WHITE LINER. RUBBER ADHESIVE TAPE (RMS-102), BLUE LINER, AVAILABLE BY SPECIAL ORDER ONLY.
TO ORDER, REPLACE "-01A" WITH "-01A1"
PART ALSO AVAILABLE WITHOUT TAPE.
TO ORDER REMOVE "A-RT" FROM PART NO.
[SUBTRACT 1/32 (0.8) FROM "A" DIM]

F SEE CO 200324 FOR CHANGES		SK 02.11.09	TITLE: LOCKING CKT. BD. SUPPORT ON BASE			DWG IN IN (MM)		FINAL	
E	UPDATED NOTES AND CHANGED FILE NO.	SM 06.20.02	TOLERANCES UNLESS NOTED	FILE # LCBSB	DWN: P.B.	APP:			
D	ADDED NOTE 3.	SM 03.29.01	.XX=±.010	MAT'L: SEE NOTES	DT: 01-04-95	DT:	PART #	PRINT TYPE	
C	MAT'L RMS-19 ADDED	J.L. 12.29.97	.XXX=±.005	RE: RICHCO, INC.	RICHCO INC. PO BOX 804238, CHICAGO, 60680 (773) 539-4060		SEE TABLE	CA	
B	CONVERTED TO ACAD	PB 01.04.95	FRAC=±1/64						
A	RELEASE TAB ADDED	RS 03.03.93	ANG=±1°						
REV	DESCRIPTION	ENGR DATE							