

## **Excellent Integrated System Limited**

Stocking Distributor

Click to view price, real time Inventory, Delivery & Lifecycle Information:

[TE Connectivity AMP Connectors  
748475-1](#)

For any questions, you can email us directly:

[sales@integrated-circuit.com](mailto:sales@integrated-circuit.com)



DRAWING MADE IN THIRD ANGLE PROJECTION

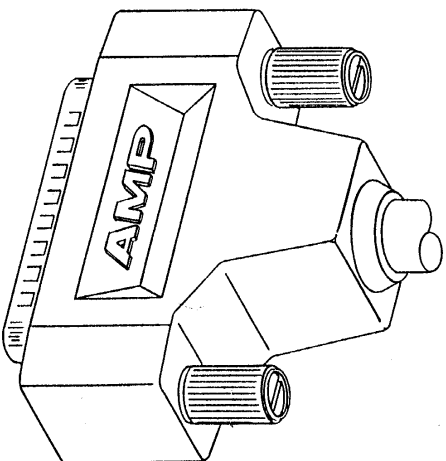
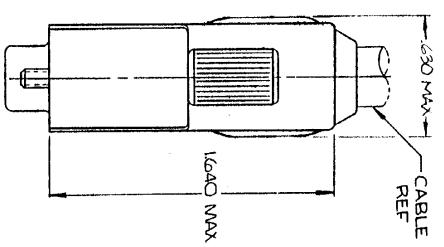
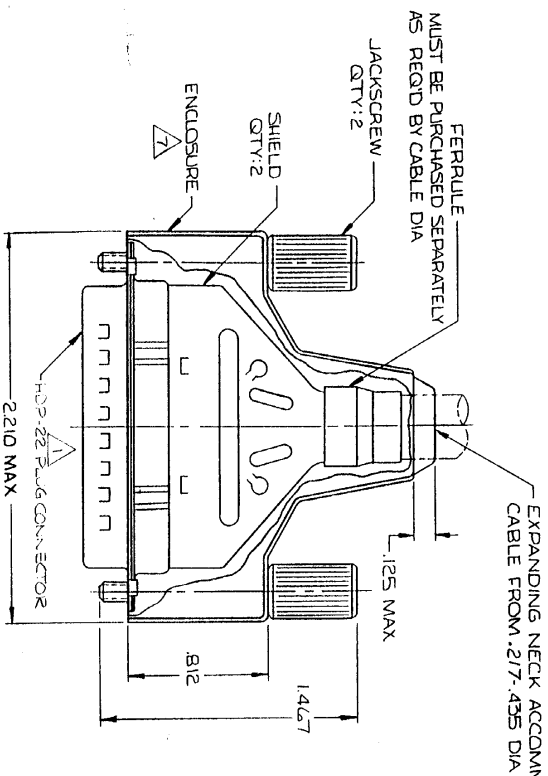
3

2

1

THIS DRAWING IS UNPUBLISHED. RELEASED FOR PUBLICATION 19  
 BY AMP INCORPORATED, HARRISBURG, PA. ALL INTERNATIONAL RIGHTS  
 RESERVED. AMP PRODUCTS MAY BE COVERED BY U.S. AND FOREIGN PATENTS AND/OR PATENT PENDING.

REVISIONS		748475-1
F	ZONE LTR	LOC DIST
1	O	2
2	A	39
3	B	
4	C	
5	D	



1. PLUG ACCEPTS SIZE 22 DF PIN CONTACTS, CONTACTS MUST BE PURCHASED SEPARATELY.
2. ALL PARTS SHIPPED UNASSEMBLED, EACH PART INDIVIDUALLY BULK PACKED.
3. FLAME RETARDANT 94V-0 RATED, GLASS FILLED NYLON, COLOR: BLACK.
4. STEEL PER ASTM A109.
5. TIN PLATING PER MIL-T-10727.
6. ZINC PLATING PER ASTM B633, TYPE II, CLASS SCI, BLACK CHROMATE.
7. FLAME RETARDANT 94V-0 RATED, STYRENE POLYOLEFIN OR PVC, COLOR: BLACK.

UNLESS OTHERWISE SPECIFIED DIMENSIONS ARE IN INCHES. TOLERANCES ON: ANGLES ±.020		CONTRACT NO. 428-87	
MATERIAL: SHELLS & SHIELDS: ZINC ALLOY JACKSCREWS: ZINC ALLOY JACKSCREWS: ZINC ALLOY		DATE: 4/30/87	
FINISH: SHELLS & SHIELDS: JACKSCREWS: OTHER APPD		DRAWING NO. 748475	
SCALE: 2:1		SHEET 1 OF 1	

CUSTOMER DRAWING

748475