

## Excellent Integrated System Limited

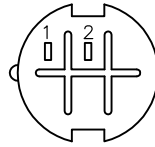
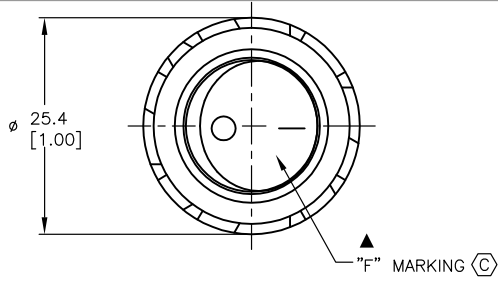
Stocking Distributor

Click to view price, real time Inventory, Delivery & Lifecycle Information:

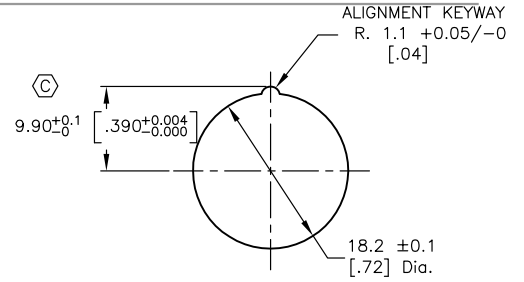
[E-Switch](#)  
[RR3130ABLKBLKFS](#)

For any questions, you can email us directly:  
[sales@integrated-circuit.com](mailto:sales@integrated-circuit.com)

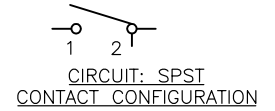
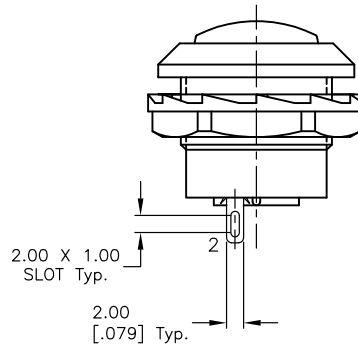
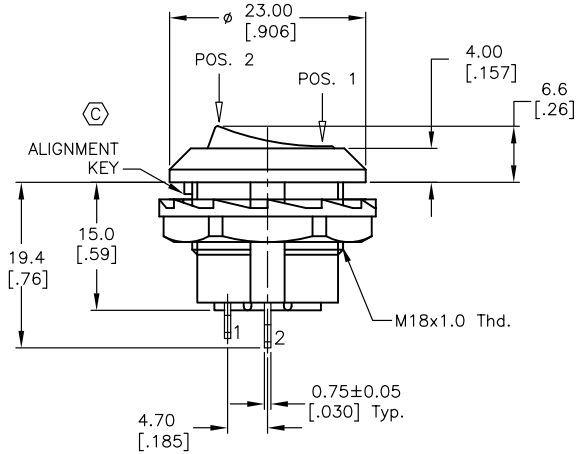
SHEET OF



BOTTOM VIEW



**RECOMMEND PANEL MOUNTING**  
6MM PANEL THICKNESS MAX.



NOTES:

1. ALL DIMENSIONS IN MM [INCH]
2. GENERAL TOLERANCE: X.X±0.4  
X.XX±0.25
3. TERM. NOS. FOR REF. ONLY
4. RATING: 10A @125V, 6A @250VAC UL, CUL APPROVED
5. CONTACT RESISTANCE: 50m ohm Max.
6. INSULATION RESISTANCE: DC 500V 100m ohm Min.
7. DIELECTRIC STRENGTH: AC 1500V 1 minute.
8. OPERATING TEMPERATURE: 0°C TO +65°C

SWITCH FUNCTION	
POS. 1	POS. 2
ON	OFF
1-2	OPEN

C	13812	ADD NOTES, CHANGE DIM, TITLE	3/1/04	AR
B	13108	ORIENTATION POST, BOTTOM VIEW	5/6/03	AR
A	10256	RELEASED FOR PRODUCTION		
REV.	ECN No.	DESCRIPTION	DATE	CHKD

THE INFORMATION CONTAINED IN THIS DOCUMENT IS PROPRIETARY TO E-SWITCH AND IS NOT TO BE COPIED OR TRANSFERRED

<b>E-SWITCH®</b>				
TITLE RR3130ABLKBLKFS				
SCALE	DATE	DR	DWG	REV
1.5:1	6/29/99	MM	F030000	C