

## Excellent Integrated System Limited

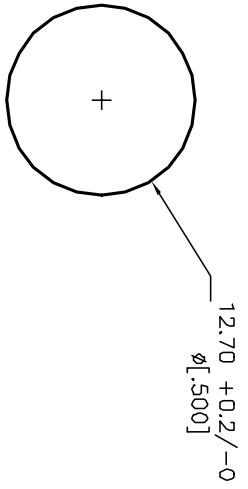
Stocking Distributor

Click to view price, real time Inventory, Delivery & Lifecycle Information:

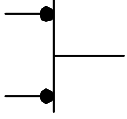
[E-Switch](#)  
[RP3502MBBLK](#)

For any questions, you can email us directly:

[sales@integrated-circuit.com](mailto:sales@integrated-circuit.com)



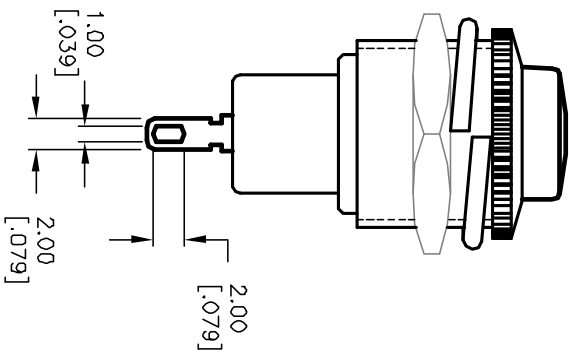
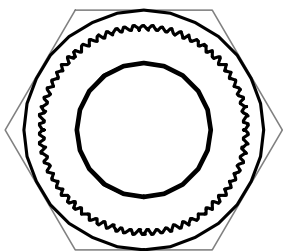
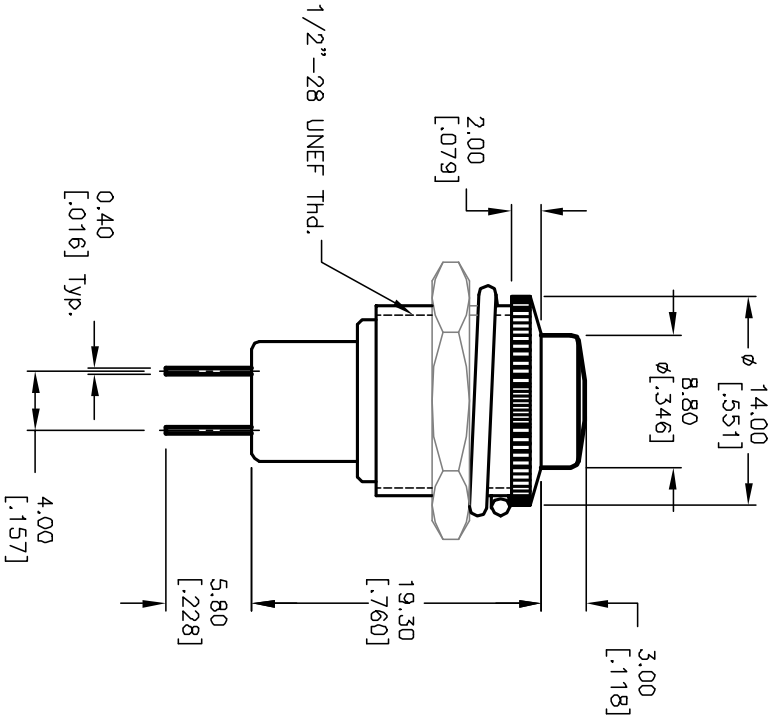
RECOMMENDED PANEL MOUNTING



CIRCUIT: 2P: SPST  
CONTACT CONFIGURATION  
ON (OFF)

NOTES:

1. ALL DIMENSIONS IN MM [INCH]
2. GENERAL TOLERANCE: X.X=±0.4  
X.XX=±0.25
3. TERM. NOS. FOR REF. ONLY
4. RATING: 3A 125V, 1.5A 250V AC
5. CONTACT RESISTANCE: 50m ohm max.
6. INSULATION RESISTANCE: DC 500V 100M ohm min.
7. DIELECTRIC STRENGTHS: AC 1000V 1 minute
8. ACTUATOR COLOR: BLACK



**E-SWITCH®**

RP3502MB-BLK

TITLE

SCALE

2:1

DATE

2/15/00

DR

MM

DWG

F030019

REV

B

B 12156

REMOVE TABULATION

2/21/00

CC

A 10533

RELEASED FOR PRODUCTION

REV. ECN No.

DESCRIPTION

DATE

CHKD

THE INFORMATION CONTAINED IN THIS DOCUMENT IS PROPRIETARY TO E-SWITCH AND IS NOT TO BE COPIED OR TRANSMITTED