

## Excellent Integrated System Limited

Stocking Distributor

Click to view price, real time Inventory, Delivery & Lifecycle Information:

[TDK-Lambda Americas, Inc.](#)  
[HFE/C19U](#)

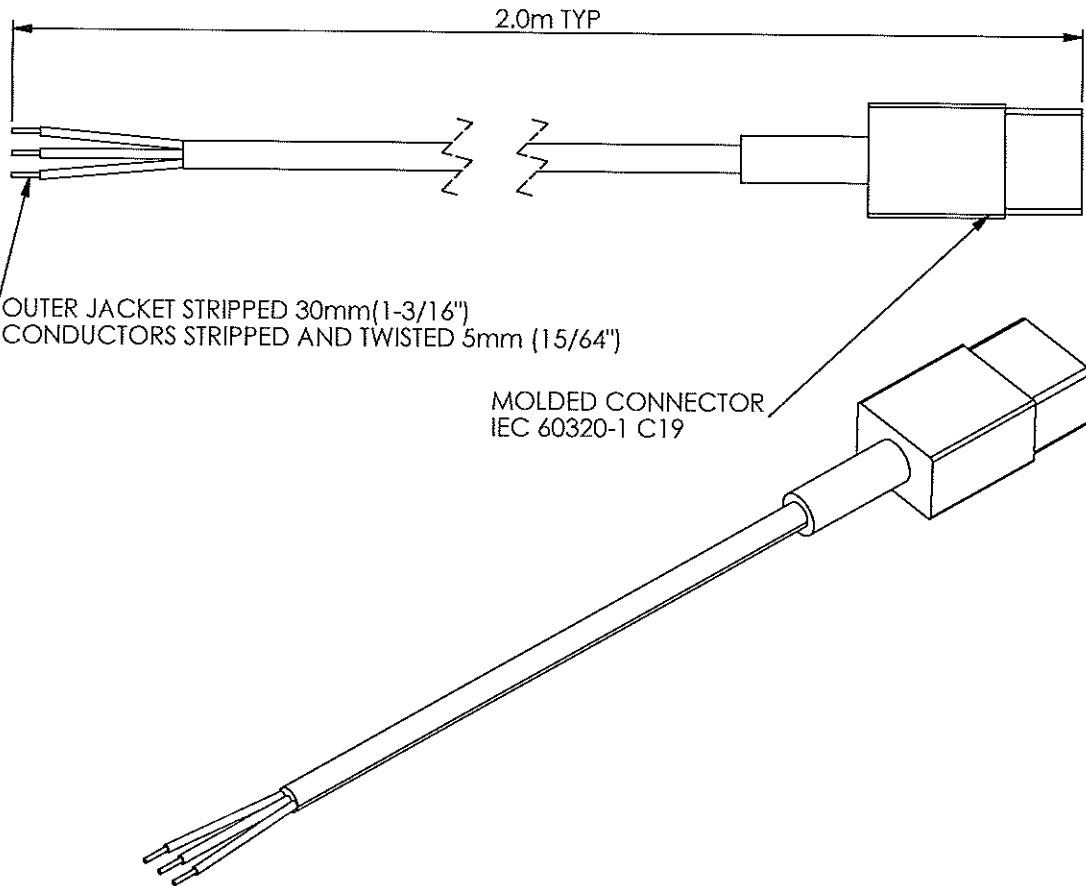
For any questions, you can email us directly:

[sales@integrated-circuit.com](mailto:sales@integrated-circuit.com)

**ROHS COMPLIANCE**

20A 125V OPEN CORD SET (USA)

1. UNSHIELDED, 3 CONDUCTORS
2. RATING MIN.: 20A, 125V
3. POWER CORD LENGTH: 2m TYP.
4. JACKET COLOR: BLACK.
5. TEMPERATURE RATING MIN.: 75°C.  $\triangle 3$
6. COMPONENTS DESCRIPTION:
  1. CABLE:
    - TYPE: SJT, SJTO
    - CONDUCTORS CROSS-SECTION AREA MIN.: 2.5mm<sup>2</sup>/12AWG
    - RATED MIN.: 20A, 125V;
    - SAFETY MARKING: UL MARK/CSA
  - $\triangle 1$  2. CONNECTOR:
    - IEC 60320-1 CERTIFIED, UL/CSA APPROVED, TYPE C19;
    - RATED MIN.: 20A, 125V;
    - SAFETY MARKING: CERTIFICATION AGENCY MARK(S), UL/CSA MARKS, RATING, TYPE



NOTE:  
 ROHS COMPLIANCE  
 REFER TO D-L GROUP  
 GREEN PROCUREMENT  
 GUIDELINE : DL-EMS-010\_

C	$\triangle 2$ - $\triangle 3$	REV. B3	28.FEB.2012	<i>[Signature]</i>	Kami S.
B	$\triangle 1$	REV. B2	26.JAN.2012		
A	NEW DRAWING		17.JAN.2012		
D	CONTENTS		DATE	ENGR	CHK

DWG	S.MIKI	28.1.2012	SHEET OF		MATERIALS	TITLE	20A 125V OPEN CORD SET (USA)
ENGR	S.MIKI	28.2.2012	1	1			
CHK	<i>[Signature]</i>	28.02.12	SCALE	NONE	FINISH	DRAWING No.	IA706-81-12 - $\square$ C
APPD	Kami S.	Feb-28-12	UNITS	mm			