



**Distributor of Citizen Finedevice: Excellent Integrated System Limited**  
Datasheet of CS325S52000000ABJT - Crystal 52.0000MHz 30ppm 18pF 50 Ohm -10°C -  
60°C Surface Mount 4-SMD, No Lead (DFN, LCC)

Contact us: [sales@integrated-circuit.com](mailto:sales@integrated-circuit.com) Website: [www.integrated-circuit.com](http://www.integrated-circuit.com)

---

## Excellent Integrated System Limited

Stocking Distributor

Click to view price, real time Inventory, Delivery & Lifecycle Information:

[Citizen Finedevice](#)  
[CS325S52000000ABJT](#)

For any questions, you can email us directly:

[sales@integrated-circuit.com](mailto:sales@integrated-circuit.com)

# AT-CUT CRYSTAL UNIT (SMD • Ceramic Package)

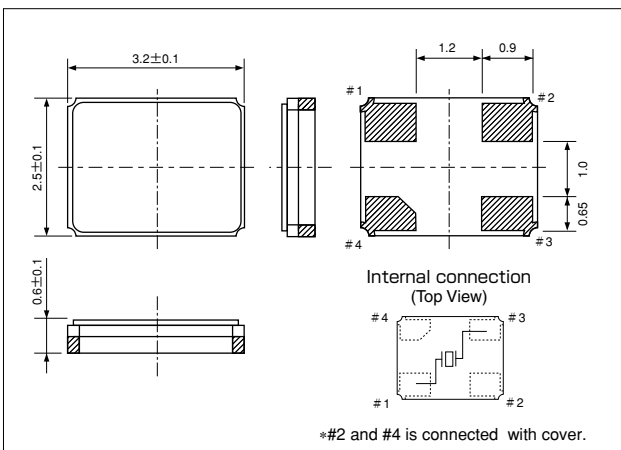
RoHS compliant / Pb free **CS325S** 3000pcs/reel



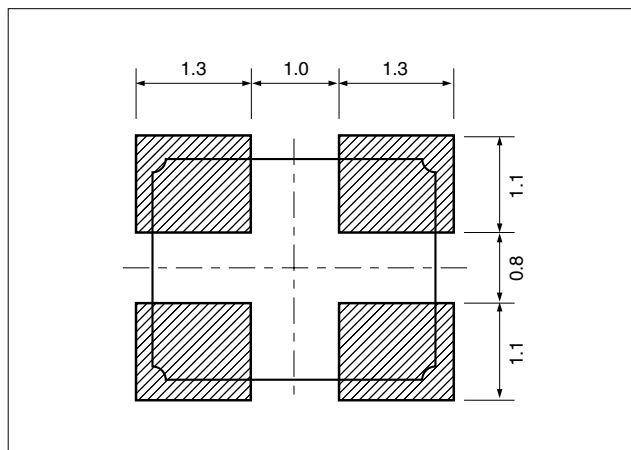
## FEATURES

- High-density SMD type.
- Reliable ceramic package and excellent environmental characteristics.
- Suitable for various applications such as communication devices, AV devices and other equipment.

## DIMENSION [mm]



## SOLDER PAD LAYOUT [mm]



## STANDARD SPECIFICATIONS

| Item   | Model          | CS325S                        | Conditions                                     |
|--|----------------|-------------------------------|--|
| Nominal Frequency                                    | $f_0$          | 12.0MHz~54.0MHz (Fundamental) | Need to contact us for the available frequency |
| Frequency Tolerance                                  | $\Delta f/f_0$ | $\pm 30$ ppm                  | at 25°C  |
| Frequency Tolerance over Operating Temperature Range | $\Delta f/f_0$ | $\pm 30$ ppm                  | -10°C~+60°C                                    |
| Operating Temperature Range                          | $T_{OPR}$      | -40°C~+85°C                   |  |
| Storage Temperature Range                            | $T_{STR}$      | -55°C~+125°C                  |  |
| Motional (series) resistance                         | $R_1$          | Refer to the following table  | at 25°C  |
| Load capacitance                                     | $C_L$          | 10.0pF~∞                      | Need to specify your requirement               |
| Shunt capacitance                                    | $C_0$          | 5.0pF Max.                    |  |
| Level of drive                                       | $D_L$          | 10 $\mu$ W (100 $\mu$ W Max.) |  |
| Insulation Resistance                                | $I_R$          | 500M $\Omega$ Min.            | DC100V $\pm$ 15V                               |
| Aging (first year)                                   | $\Delta f/f_0$ | $\pm 5$ ppm Max.              | 25°C $\pm$ 3°C                                 |

## MOTIONAL (SERIES) RESISTANCE ( $R_1$ )

| Frequency Range | 12.0MHz $\leq f_0 < 16.0$ MHz | 16.0MHz $\leq f_0 < 20.0$ MHz | 20.0MHz $\leq f_0 < 30.0$ MHz | 30.0MHz $\leq f_0 < 54.0$ MHz |
|-----------------|-------------------------------|-------------------------------|-------------------------------|-------------------------------|
| ESR             | 150 $\Omega$ Max.             | 120 $\Omega$ Max.             | 80 $\Omega$ Max.              | 50 $\Omega$ Max.              |