

Excellent Integrated System Limited

Stocking Distributor

Click to view price, real time Inventory, Delivery & Lifecycle Information:

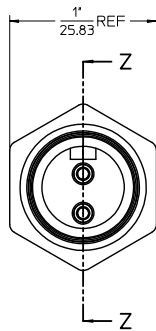
[Molex Connector Corporation](#)
[1300130503](#)

For any questions, you can email us directly:

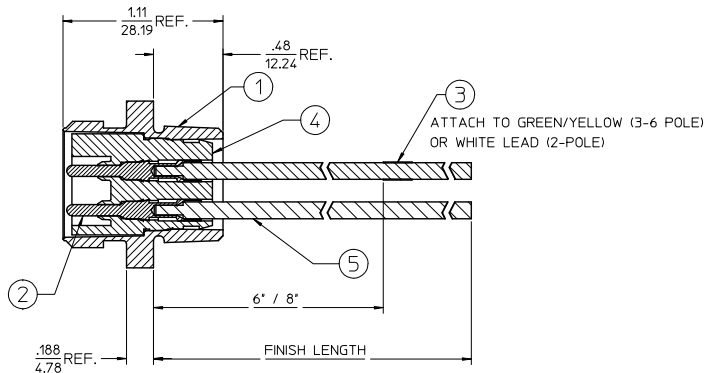
sales@integrated-circuit.com

FACE VIEW - MALE INSERT
SCALE 2 : 1

1 WHITE 2 BLACK	1 GREEN/YELLOW 2 BLACK 3 WHITE	1 BLACK 2 WHITE 3 RED 4 GREEN/YELLOW	1 WHITE 2 RED 3 GREEN/YELLOW 4 ORANGE 5 BLACK	1 WHITE 2 RED 3 GREEN/YELLOW 4 ORANGE 5 BLACK 6 BLUE



MALE INSERT - FRONT VIEW



SECTION Z-Z

FINAL ASSEMBLY
1300130076

ENTER DESCRIPTION EC NO: WNA2010-0057 DRAWN BY: NKUMAR01 CHKD: JFMURPHY APPR: JFMURPHY DATE: 2009/06/10	QUALITY SYMBOLS ▽=0 ▽=0	GENERAL TOLERANCES (UNLESS SPECIFIED)		DIMENSION STYLE IN/MM		SCALE 2:1	DESIGN UNITS INCH	THIRD ANGLE PROJECTION	
		4 PLACES ± --- ± ---	mm	INCH	DRAWN BY	DATE	TITLE MC 2P MR 12IN. 16/1 PVC		
		3 PLACES ± --- ± ---			CHECKED BY	DATE	MOLEX INCORPORATED		
		2 PLACES ± --- ± ---			APPROVED BY	DATE	MATERIAL NO. 9999999999 DOCUMENT NO. SD-130013-076 SHEET NO. 1 OF 2		
1 PLACE ± --- ± ---			ANGULAR ± 1/2°		DRAFT WHERE APPLICABLE MUST REMAIN WITHIN DIMENSIONS				
THIS DRAWING CONTAINS INFORMATION THAT IS PROPRIETARY TO MOLEX INCORPORATED AND SHOULD NOT BE USED WITHOUT WRITTEN PERMISSION									

				MALE RECEPTACLE ASSEMBLY				
				2 POLE	3 POLE	4 POLE	5 POLE	6 POLE
SI. No.	DESCRIPTION	MATERIAL	FINISH	QUANTITY				
1	RECEPTACLE SHELL	ZINC DIECAST	BLACK E-COAT	1	1	1	1	1
2	PIN CONTACT 16AWG	COPPER ALLOY	GOLD PLATED	2	3	4	5	6
3	LABEL	PLASTIC FILM	BLACK/YELLOW	1	1	1	1	1
4	2P MALE INSERT PVC A SIZE	PVC	YELLOW	1				
	3P MALE INSERT PVC A SIZE	PVC	YELLOW		1			
	4P MALE INSERT PVC A SIZE	PVC	YELLOW			1		
	5P MALE INSERT PVC A SIZE	PVC	YELLOW				1	
	6P MALE INSERT PVC A SIZE	PVC	YELLOW					1
5	#16-1 WHT PVC WIRE UL1015	PVC JACKET	WHITE	1	1	1	1	1
	#16-1 RED PVC WIRE UL1015	PVC JACKET	RED					1
	#16-1 ORN PVC WIRE UL1015	PVC JACKET	ORANGE		1	1	1	1
	#16-1 GRN/YEL PVC WIRE UL1015	PVC JACKET	GREEN/YELLOW				1	1
	#16-1 BLU PVC WIRE UL1015	PVC JACKET	BLUE			1	1	1
	#16-1 BLK PVC WIRE UL1015	PVC JACKET	BLACK	1	1	1	1	1

PART NUMBER	DESCRIPTION	FINISHED LENGTH
1300130076	1R2006A20A120	12.0' +.75' -0 [0.3M +19.1MM -0]
1300130084	1R2006A20F060	6.0' +2.19' -0 [1.8M +55.6MM -0]
1300130202	1R3006A20A120	12.0' +.75' -0 [0.3M +19.1MM -0]
1300130215	1R3006A20F060	6.0' +2.19' -0 [1.8M +55.6MM -0]
1300130353	1R4006A20A120	12.0' +.75' -0 [0.3M +19.1MM -0]
1300130361	1R4006A20F060	6.0' +2.19' -0 [1.8M +55.6MM -0]
1300130493	1R5006A20A120	12.0' +.75' -0 [0.3M +19.1MM -0]
1300130503	1R5006A20F060	6.0' +2.19' -0 [1.8M +55.6MM -0]
1300130593	1R6006A20A120	12.0' +.75' -0 [0.3M +19.1MM -0]
1300130605	1R6006A20F060	6.0' +2.19' -0 [1.8M +55.6MM -0]

POLE COUNT	MAX. VOLTAGE RATING	MAX. CURRENT RATING
2 POLE	600 VOLTS	13 AMPS
3 POLE	600 VOLTS	13 AMPS
4 POLE	600 VOLTS	10 AMPS
5 POLE	600 VOLTS	8 AMPS
6 POLE	600 VOLTS	8 AMPS

ENTER DESCRIPTION EC NO: WNA2010-0057 DRAWN BY: NKUMAR01 CHKD: JPMURPHY APPR: JPMURPHY 2009/07/31 2009/08/10	QUALITY SYMBOLS ▽=0 ▽=0	GENERAL TOLERANCES (UNLESS SPECIFIED)		DIMENSION STYLE IN/MM		SCALE 2:1	DESIGN UNITS INCH	THIRD ANGLE PROJECTION	
		4 PLACES ± --- ± ---	mm	INCH	DRAWN BY NKUMAR01	DATE 31/07/09	TITLE MC 2P MR 12IN. 16/1 PVC		
		3 PLACES ± --- ± ---			CHECKED BY BWOODMAN	DATE 31/07/09			
		2 PLACES ± --- ± ---			APPROVED BY JFMURPHY	DATE 31/07/09	MOLEX INCORPORATED		
1 PLACE ± --- ± ---			ANGULAR ±1/2°		MATERIAL NO. 9999999999	DOCUMENT NO. SD-130013-076	SHEET NO. 2 OF 2		
DRAFT WHERE APPLICABLE MUST REMAIN WITHIN DIMENSIONS				THIS DRAWING CONTAINS INFORMATION THAT IS PROPRIETARY TO MOLEX INCORPORATED AND SHOULD NOT BE USED WITHOUT WRITTEN PERMISSION					