

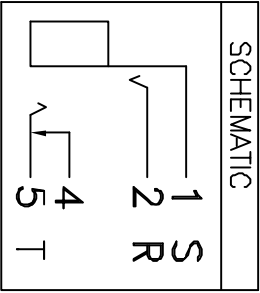
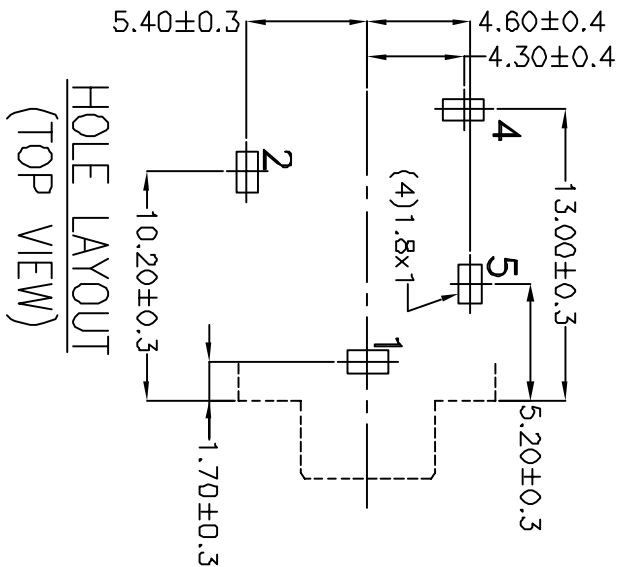
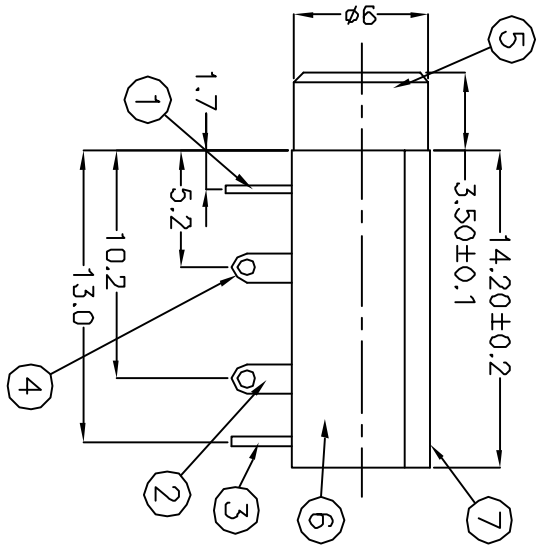
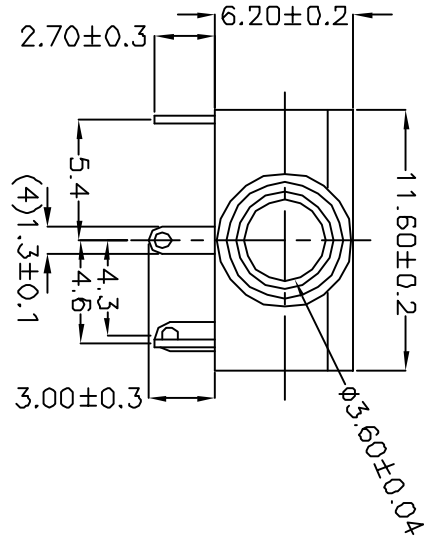
Excellent Integrated System Limited

Stocking Distributor

Click to view price, real time Inventory, Delivery & Lifecycle Information:

[CUI Inc.](#)
[SJ-3514N](#)

For any questions, you can email us directly:
sales@integrated-circuit.com



SPECIFICATIONS:
 RATING: 12V DC @ 1A
 CONTACT RESISTANCE:
 30 MOHMS MAX
 INSULATION RESISTANCE:
 100 MOHMS MIN @ 500V DC
 WITHSTAND VOLTAGE:
 500V AC FOR 1 MINUTE
 LIFE: 5,000 CYCLES

7	COVER	PC	1	TRANS PARENT
6	HOUSING	POM	1	BLACK COLOR
5	BARREL (W/O THREAD)	BRASS	1	NICKEL PLATED
4	TIP SPRING	0.25T PHOSPHOR BRONZE	1	SILVER PLATED
3	BREAK TERMINAL	0.4T BRASS	1	SILVER PLATED
2	RING SPRING	0.25T PHOSPHOR BRONZE	1	SILVER PLATED
1	EARTH TERMINAL	0.4T BRASS	1	SILVER PLATED
NO.	DESCRIPTION	MATERIAL	QTY	FINISH



9615 SW Allen, Suite 103
 Beaverton, OR 97006
 Phone: (503) 643-4899
 800-276-4899
 Fax: (503) 372-1266
 Website: www.cui.com

TITLE: **3.5mm AUDIO JACK - STEREO**

PART NO.: SJ-3514N UNITS: MILLIMETERS

DRAWN BY: Todd R. White APPROVED BY: SCALE: 3X

PC FILE NAME: SJ-3514N.DWG COPYRIGHT 1997 BY CUI INC.