

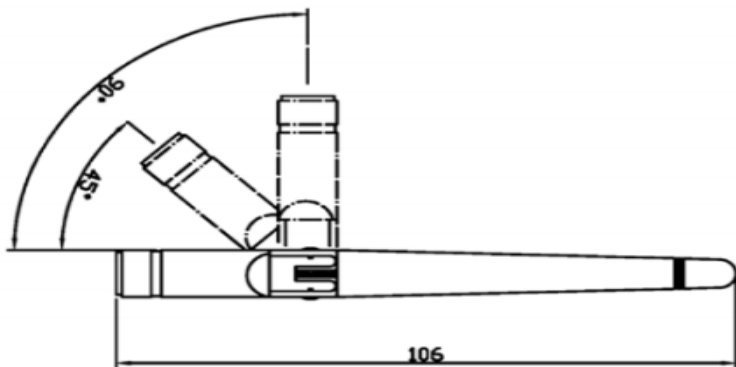


## 2.4G DIPOLE 2DBI ANTENNA FOR SMA MALE REVERSE POLARITY

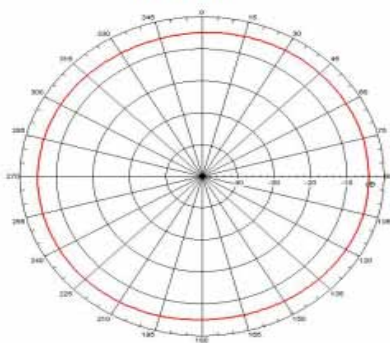
Part Number: LM251



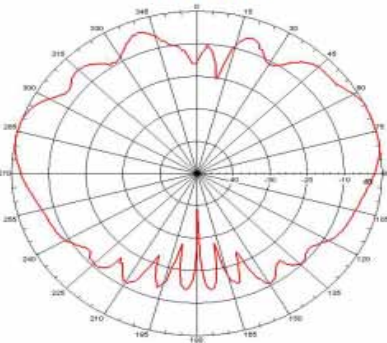
Type:	Dipole
Frequency:	2400~2500MHz
Gain:	2Dbi
Polarization:	Linear Vertical
SWR:	≤1.5:1
Impedance:	50 Ω
Base	
Connector:	SMA Male Reverse Polarity
Weight:	13g
Size:	H 105mm × W 10mm × D 10mm



H-PLANE



E-PLANE



### Contact



LM Technologies Ltd  
 Unit 19 Spectrum House  
 32-34 Gordon House Road  
 London  
 NW5 1LP, UK.  
 Tel : +44 (0) 207 428 2647  
 Fax: +44 (0) 870 112 7636

