

Excellent Integrated System Limited

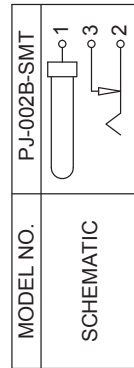
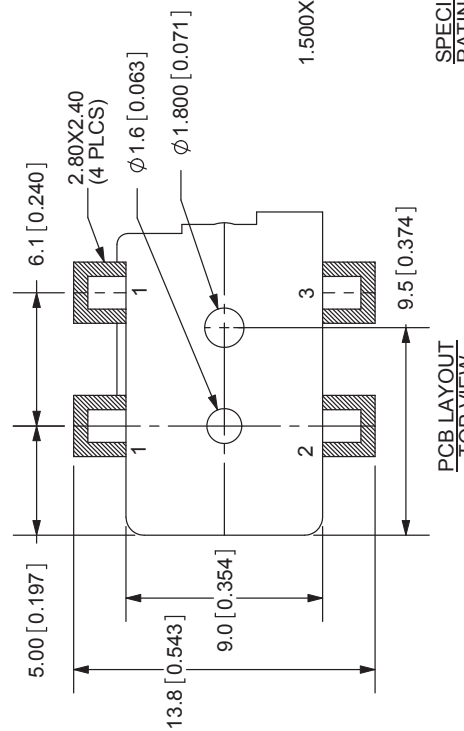
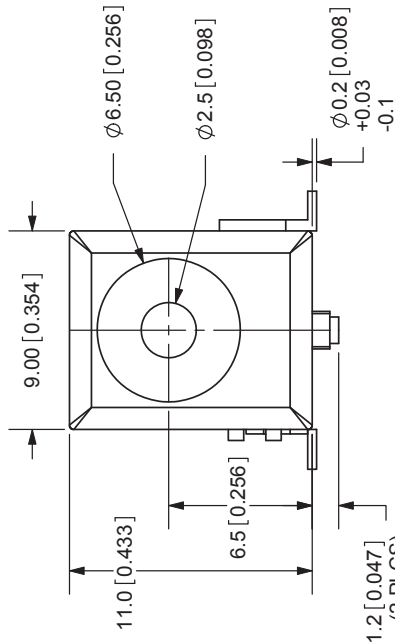
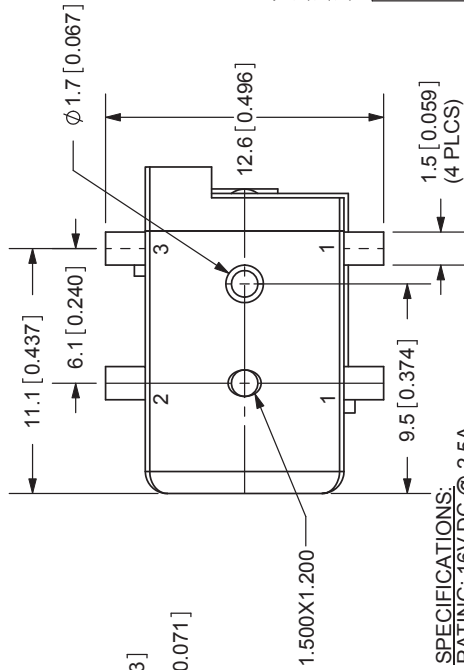
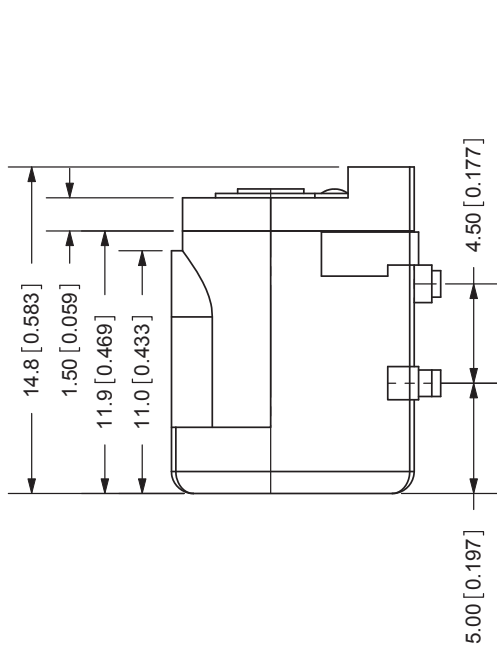
Stocking Distributor

Click to view price, real time Inventory, Delivery & Lifecycle Information:

[CUI Inc.](#)
[PJ-002B-SMT-1](#)

For any questions, you can email us directly:
sales@integrated-circuit.com

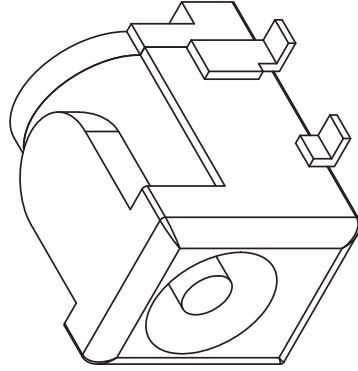
REV.	DESCRIPTION	DATE
A	NEW DRAWING	11/15/2005
B	corrected spec error	10/29/2007



CENTER PIN DIAMETER 2.5mm Dia.

SPECIFICATIONS:
 RATING: 16V DC @ 2.5A
 CONTACT RESISTANCE: 30m OHMS MAX
 INSULATION RESISTANCE: 50M OHMS MIN: 500V DC
 VOLTAGE WITHSTAND: 500V AC R.M.S. FOR 1 MINUTE
 LIFE: 5,000 CYCLES
 OPERATING TEMP: -25° ~ +85°C

MATERIAL	PLATING
CENTER PIN	Nickel
TERMINAL 1	Silver
TERMINAL 2	Silver
TERMINAL 3	Silver
HOUSING	PA6T



TOLERANCE:
 X.X ±0.2mm
 X.XX ±0.1mm
 X.XXX ±0.05mm



20050 SW 112th Ave.
 Tualatin, OR 97062
 Phone: 503-612-2300
 800-275-4899
 Fax: 503-612-2383
 Website: www.cui.com

TITLE: 2.5mm SURFACE MOUNT POWER JACK	REV: A
PART NO: PJ-002B-SMT	UNITS: MM [INCHES]
DRAWN BY: ZRJ	APPROVED BY:
	SCALE: 2:1