

Excellent Integrated System Limited

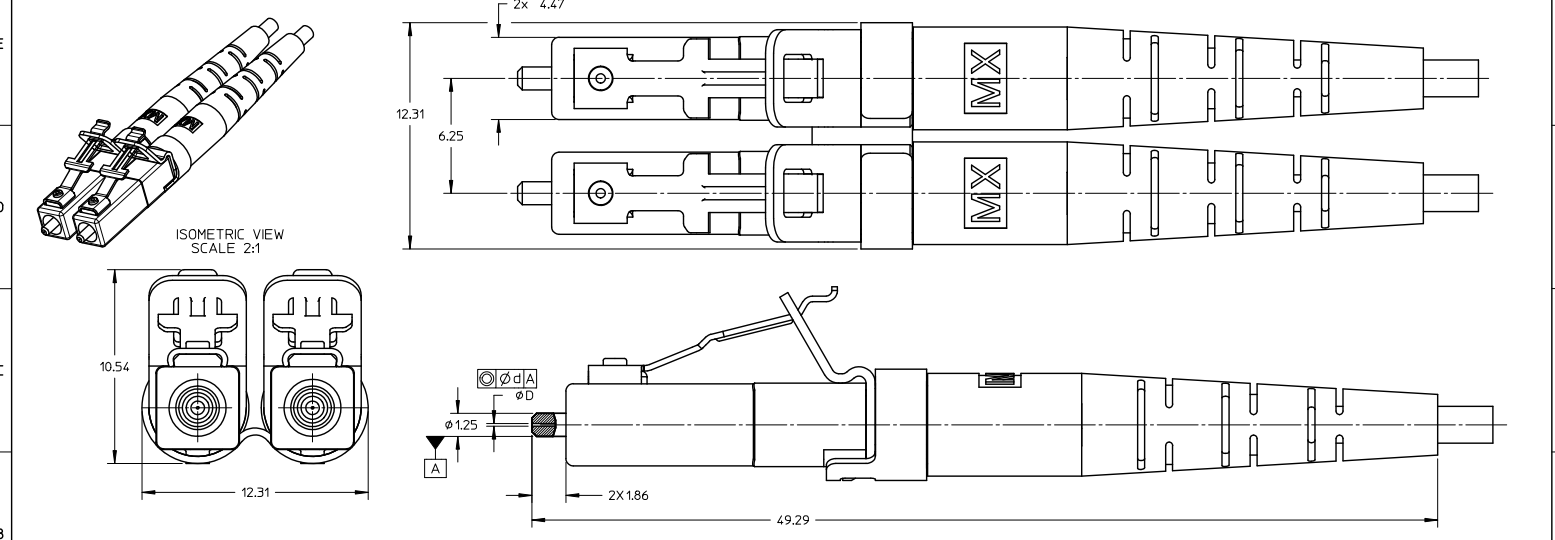
Stocking Distributor

Click to view price, real time Inventory, Delivery & Lifecycle Information:

[Molex Connector Corporation](#)
[1063973010](#)

For any questions, you can email us directly:
sales@integrated-circuit.com

CONNECTOR P/N	∅D (µm)	∅d (µm)	BOOT COLOR	CABLE TYPE	CABLE DESCRIPTION AND ∅ (mm)
106397-2227	125.5 ⁺¹⁰ ₀	0.5	YELLOW	SM	SIMPLEX 1.6
106397-3000			BLUE		SIMPLEX 2.0
106397-2229	126.0 ^{+3.0} ₀	1.0	YELLOW	MM	SIMPLEX 1.6
106397-1604			BLUE		SIMPLEX 2.0
106397-2427	127.0 ^{+3.0} ₀	3.0	WHITE	MM	SIMPLEX 1.6
106397-3010					



- NOTES:
1. ALL DIMENSIONS ARE FOR REFERENCE ONLY.
 2. DUST CAPS ARE NOT SHOWN.

ENTER DESCRIPTION EC NO: ME2010-0477 DRAWN BY: 2010/05/24 CHK: WCHEN APPROVED BY: 2009/05/08 APPROVED BY: 2010/05/27	QUALITY SYMBOLS ▽=0 ▽=0	GENERAL TOLERANCES (UNLESS SPECIFIED)		DIMENSION STYLE MM ONLY		SCALE 5:1	DESIGN UNITS METRIC	THIRD ANGLE PROJECTION	
		4 PLACES ± --- ± ---	mm	INCH	DRAWN BY: JSZEWZYK DATE: 2009/04/27	TITLE LC2 PLUS DUPLEX CONNECTOR WITH 1.6MM & 2.0MM BOOT			
		3 PLACES ± --- ± ---			CHECKED BY: WCHEN DATE: 2009/05/08	MOLEX INCORPORATED			
		2 PLACES ± --- ± ---			APPROVED BY: BANDREI DATE: 2009/05/08	MATERIAL NO. SEE TABLE		DOCUMENT NO. SD-106397-3000	SHEET NO. 1 OF 1
1 PLACE ± --- ± ---			ANGULAR ±1/2°		DRAFT WHERE APPLICABLE MUST REMAIN WITHIN DIMENSIONS				
REV: B1				SIZE: B		THIS DRAWING CONTAINS INFORMATION THAT IS PROPRIETARY TO MOLEX INCORPORATED AND SHOULD NOT BE USED WITHOUT WRITTEN PERMISSION			