



**Distributor of Molex Connector Corporation: Excellent Integrated System Limited**  
Datasheet of 1050350001 - Connector Receptacle USB mini B 5 Position Board Cutout,  
Surface Mount, Right Angle

Contact us: [sales@integrated-circuit.com](mailto:sales@integrated-circuit.com) Website: [www.integrated-circuit.com](http://www.integrated-circuit.com)

---

## **Excellent Integrated System Limited**

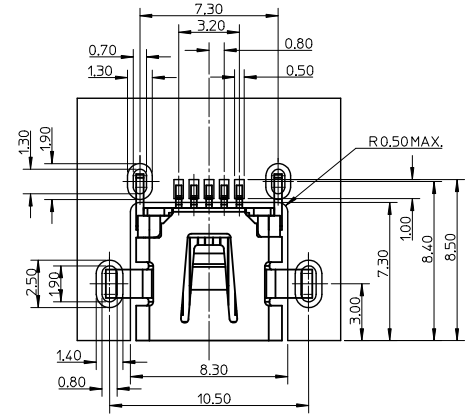
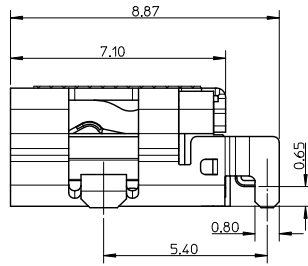
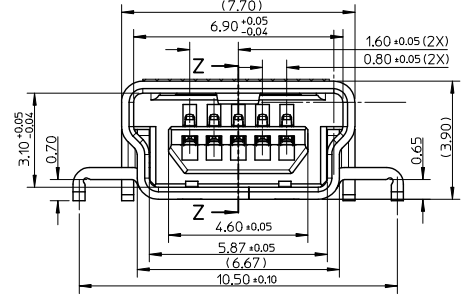
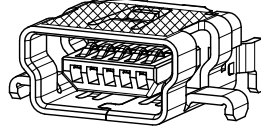
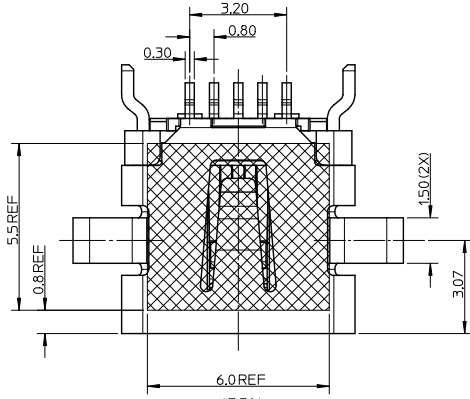
Stocking Distributor

Click to view price, real time Inventory, Delivery & Lifecycle Information:

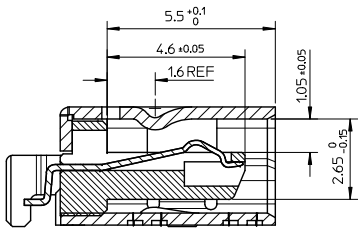
[Molex Connector Corporation](#)  
[1050350001](#)

For any questions, you can email us directly:  
[sales@integrated-circuit.com](mailto:sales@integrated-circuit.com)

Contact us: sales@integrated-circuit.com Website: www.integrated-circuit.com



RECOMMEND PCB LAYOUT  
GENERAL TOLERANCE : ±0.05



SECTION Z-Z

- NOTE:
- MATERIAL :  
HOUSING : LCP GLASS FILLED , BLACK,UL94V-0  
TERMINAL : COPPER ALLOY THICKNESS = 0.2 MM  
SHIELD CASE : STAINLESS STEEL THICKNESS = 0.4 MM
  - PLATING :  
TERMINAL:  
CONTACT AREA : GOLD 0.76 MICRON MINIMUM.  
SOLDER TAIL AREA : MATTE TIN 2.0 MICRON MINIMUM.  
UNDER PLATING : NICKEL 1.25 MICRON MINIMUM.  
SHIELD CASE :  
MATTE TIN 2.0 MICRON MINIMUM.  
UNDER PLATING : NICKEL 1.25 MICRON MINIMUM.
  - COPLANARITY: 0.08 mm MAXIMUM AMONG 5 SOLDER TAILS.
  - PRODUCT SPEC. : PS-67803-001,PACKING SPEC. : PK-105035-001
  - COMPLIANT TO RoHS DIRECTIVE 2002/95/EC AND ELV DIRECTIVE 2000/53/EC.

REVISE EC NO: SH2010-0105 DRAWN BY: J.SONG CHKD: 2009/09/22 APPR: R.ZHANG 2009/10/14	DESCRIPTION	QUALITY SYMBOLS	GENERAL TOLERANCES (UNLESS SPECIFIED)		DIMENSION STYLE	SCALE	DESIGN UNITS	THIRD ANGLE PROJECTION
		▽=0 ▽=0	mm	INCH	MM ONLY	1:1	METRIC	
REV B	DESCRIPTION	4 PLACES ± --- ± ---	DRAWN BY DATE X.J.SONG 2007/12/07		TITLE MINI USB B RECEPTACLE MIDDLE MOUNT			
		3 PLACES ± --- ± ---	CHECKED BY DATE JTIAN 2007/12/07					
		2 PLACES ± 0.25 ± ---	APPROVED BY DATE H.WANG 2007/12/07		MOLEX INCORPORATED			
		1 PLACE ± 0.25 ± ---	MATERIAL NO. 105035-0001		DOCUMENT NO. SD-105035-001		SHEET NO. 1 OF 1	
		ANGULAR ± 3 °	THIS DRAWING CONTAINS INFORMATION THAT IS PROPRIETARY TO MOLEX INCORPORATED AND SHOULD NOT BE USED WITHOUT WRITTEN PERMISSION					
		DRAFT WHERE APPLICABLE MUST REMAIN WITHIN DIMENSIONS						