



Distributor of Molex Connector Corporation: Excellent Integrated System Limited
Datasheet of 1051251001 - Connector Receptacle USB TypeA, eSATA Combo 11 Position
Through Hole, Right Angle, Horizontal

Contact us: sales@integrated-circuit.com Website: www.integrated-circuit.com

Excellent Integrated System Limited

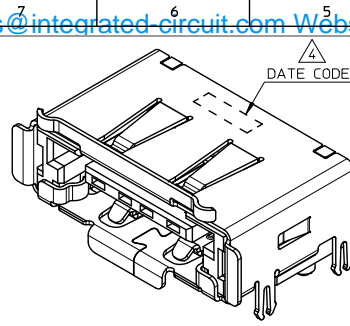
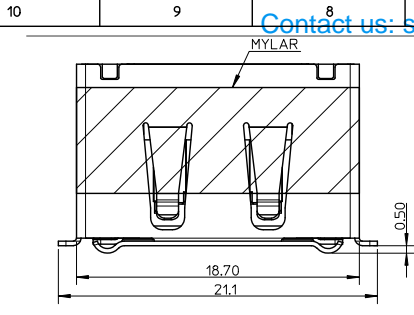
Stocking Distributor

Click to view price, real time Inventory, Delivery & Lifecycle Information:

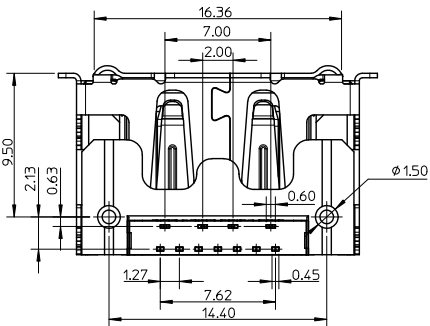
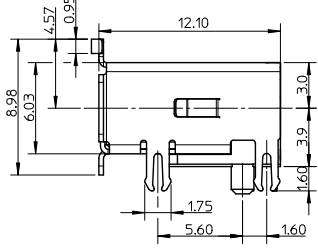
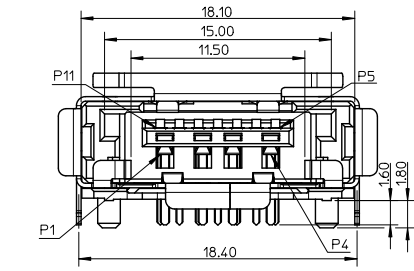
[Molex Connector Corporation](#)
[1051251001](#)

For any questions, you can email us directly:
sales@integrated-circuit.com

Contact us: sales@integrated-circuit.com Website: www.integrated-circuit.com

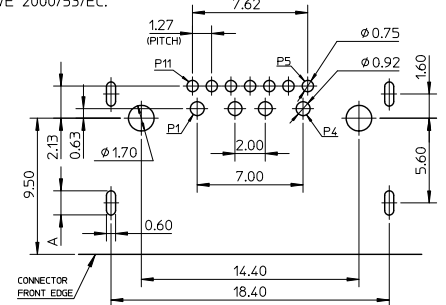


- NOTES:
- MATERIAL:
 - HOUSING: HIGH TEMPERATURE THERMOPLASTIC, 30% GLASS FILLED, BLACK, UL94V-0.
 - TAIL GUIDER: HIGH TEMPERATURE THERMOPLASTIC, 30% GLASS FILLED, BLACK, UL94V-0.
 - TERMINAL-1: COPPER ALLOY.
 - TERMINAL-2: COPPER ALLOY.
 - METAL SHELL: STAINLESS STEEL.
 - TERMINAL PLATING:
 - CONTACT AREA: GOLD PLATING. DETAIL SEE TABLE.
 - SOLDER AREA: 2.0 MICROMETRE MINIMUM MATTE TIN PLATING.
 - UNDER PLATING: 1.27 MICROMETRE MINIMUM NICKEL PLATING.
 - METAL SHELL PLATING: SOLDERABLE NICKEL PLATING.
 - DATE CODE: YYMMDD, 'YY' REPRESENTS YEAR, 'MM' REPRESENTS MONTH, 'DD' REPRESENTS DATE.
 - PRODUCT SPECIFICATION: PS-47403-001.
 - PACKAGE SPECIFICATION: PK-105125-001.
 - PRODUCT COMPLIANT TO RoHS DIRECTIVE 2002/95/EC AND ELV DIRECTIVE 2000/53/EC.



PIN ASSIGNMENT

USB		ESATA	
NAME	TYPE	NAME	TYPE
P1	VBUS	P5	GND
P2	D-	P6	A+
P3	D+	P7	A-
P4	GND	P8	GND
		P9	B-
		P10	B+
		P11	GND



RECOMMEND PCB LAYOUT, T=1.2mm
PCB TOLERANCE: +0.05

DIMENSION-A	BOARDLOCK FUNCTION
1.6	AVAILABLE
1.9	UNAVAILABLE

105125-1002	0.76 MICROMETRE MIN. GOLD PLATING
105125-1001	0.38 MICROMETRE MIN. GOLD PLATING
105125-1000	GOLD FLASH
P/N	CONTACT AREA PLATING

NEW RELEASE EC. NO. SH2010-0450 DRAWN: XQZHANG CHK: GGLI APPR: XJSONG	2010/05/31 2010/06/04 2010/06/29	QUALITY SYMBOLS ∇=0 ∇=0 ∇=0	GENERAL TOLERANCES (UNLESS SPECIFIED)		DIMENSION STYLE MM ONLY		SCALE 4:1	DESIGN UNITS METRIC	THIRD ANGLE PROJECTION	
			4 PLACES ± --- ± --- 3 PLACES ± --- ± --- 2 PLACES ± 0.25 ± --- 1 PLACE ± 0.25 ± --- ANGULAR ± 3°		DRAWN BY XQZHANG	DATE 2009/08/05	TITLE COMBO ESATA AND USB CONNECTOR TOP MOUNT TYPE			
			DRAFT WHERE APPLICABLE MUST REMAIN WITHIN DIMENSIONS		CHECKED BY XJSONG	DATE 2009/08/05	MOLEX INCORPORATED			
			SEE TABLE		APPROVED BY XJSONG	DATE 2009/08/05	MATERIAL NO.	DOCUMENT NO. SD-105125-100	SHEET NO. 1 OF 1	