

Excellent Integrated System Limited

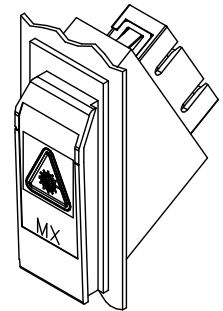
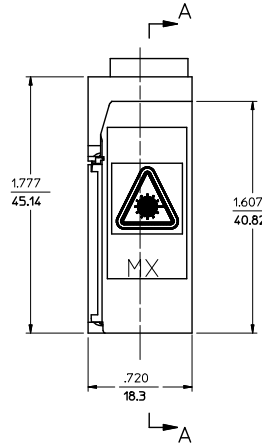
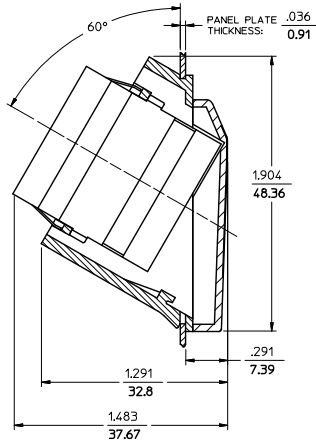
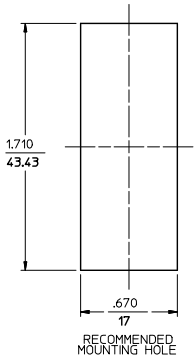
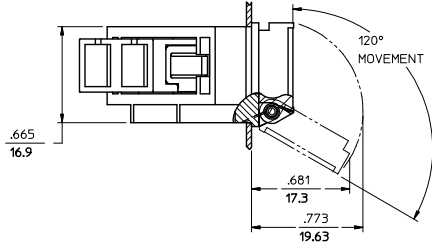
Stocking Distributor

Click to view price, real time Inventory, Delivery & Lifecycle Information:

[Molex Connector Corporation](#)
[1060043181](#)

For any questions, you can email us directly:
sales@integrated-circuit.com

BEZEL P/N	SLEEVE MATERIAL	ADAPTER COLOR
106004-3180	PHOSPHOR BRONZE	BLACK
106004-3181	ZIRCONIA	
106004-3182	PHOSPHOR BRONZE	BLUE
106004-3183	ZIRCONIA	



NOTE:
LABEL TO BE INSTALLED BY CUSTOMER

ENTER DESCRIPTION EC NO: MF2009-0377 DRAWN BY: DRINKPEVNER CHKD: CHIKO APPR: I.G.M.T.N. 2009/02/06 2009/02/06 2009/02/10	QUALITY SYMBOLS ▽=0 ∇=0	GENERAL TOLERANCES (UNLESS SPECIFIED)		DIMENSION STYLE IN/MM		SCALE 1:1	DESIGN UNITS INCH	THIRD ANGLE PROJECTION		
		4 PLACES ± --- ± ---	mm	INCH	DRAWN BY	DATE	TITLE DUPLEX BEZEL ADAPTER KIT (SC-SC)			
		3 PLACES ± --- ± ---			RPACIFIC1	2005/10/18	MOLEX INCORPORATED			
		2 PLACES ± --- ± ---			CHECKED BY	DATE	DOCUMENT NO. SD-106004-318X			
1 PLACE ± --- ± ---			APPROVED BY DATE		MATERIAL NO. SEE TABLE		SHEET NO. 1 OF 01			
ANGULAR ± 1/2°		DRAFT WHERE APPLICABLE MUST REMAIN WITHIN DIMENSIONS		THIS DRAWING CONTAINS INFORMATION THAT IS PROPRIETARY TO MOLEX INCORPORATED AND SHOULD NOT BE USED WITHOUT WRITTEN PERMISSION						