

Excellent Integrated System Limited

Stocking Distributor

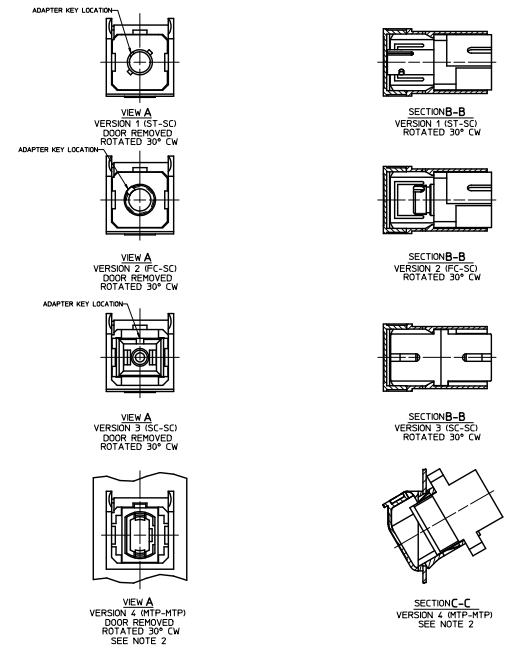
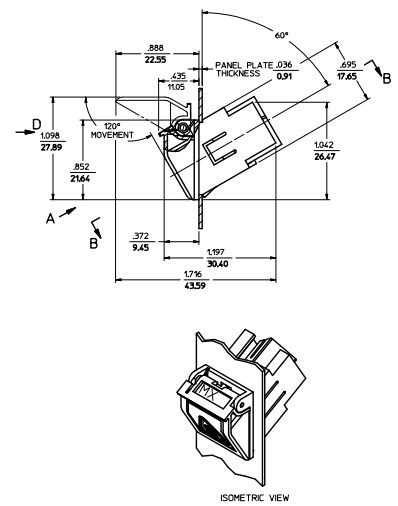
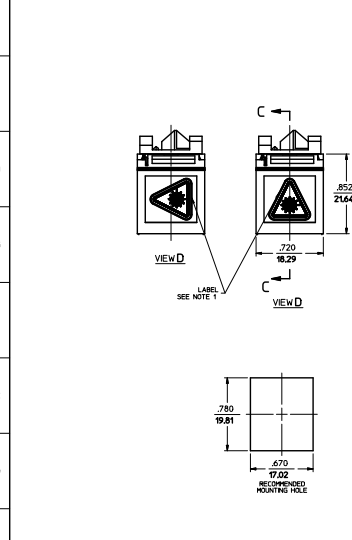
Click to view price, real time Inventory, Delivery & Lifecycle Information:

[Molex Connector Corporation](#)
[1060043280](#)

For any questions, you can email us directly:

sales@integrated-circuit.com

REEL P/N	VERSION	SLIDE MATERIAL	ADAPTER COLOR
106004-3280	1 ST-SC	PHOSPHOR BRONZE	METAL
106004-3281	1 ST-SC	ZIRCONIA	METAL
106004-3282	2 IFC-SC	PHOSPHOR BRONZE	BLACK
106004-3283	2 IFC-SC	ZIRCONIA	BLACK
106004-3284	3 ISC-SC	PHOSPHOR BRONZE	RED
106004-3285	3 ISC-SC	ZIRCONIA	RED
106004-3286	3 ISC-SC	PHOSPHOR BRONZE	BLACK
106004-3287	3 ISC-SC	ZIRCONIA	BLACK
106004-3288	4 MTP-MTP	N/A	BLACK
106004-3290	1 ST-SC	PHOSPHOR BRONZE	METAL
106004-3291	1 ST-SC	ZIRCONIA	METAL
106004-3292	2 IFC-SC	PHOSPHOR BRONZE	BLACK
106004-3293	2 IFC-SC	ZIRCONIA	BLACK
106004-3294	3 ISC-SC	PHOSPHOR BRONZE	RED
106004-3295	3 ISC-SC	ZIRCONIA	RED
106004-3296	3 ISC-SC	PHOSPHOR BRONZE	BLACK
106004-3297	3 ISC-SC	ZIRCONIA	BLACK
106004-3298	4 MTP-MTP	N/A	BLACK
106004-3298	3 ISC-SC	ZIRCONIA	GREEN



NOTES:
1. LABEL P/N 106004-3015 TO BE INSTALLED BY CUSTOMER.
2. MTP-MTP ADAPTER VERSION 4 TO BE ASSEMBLED BY CUSTOMER AFTER BEZEL IS INSTALLED IN PANEL CUTOUT.

ENTER DESCRIPTION EC NO. MF2010-035 DRAWN/REVISOR: 2010/02/02 CHKD: 2010/02/02 APPROVED: 2010/02/11 REV:	QUALITY SYMBOLS ▽=0 ▽=0	GENERAL TOLERANCES (UNLESS SPECIFIED) 4 PLACES ±.000 ±.000 3 PLACES ±.000 ±.000 2 PLACES ±.000 ±.000 1 PLACE ±.000 ±.000 ANGULAR ±1/2°	DIMENSION STYLE IN/MM DRAWN BY: RPACIFIC1 CHECKED BY: DATE: 2005/10/20 APPROVED BY: IGININ DATE: 2010/02/02	SCALE 2:1 DESIGN UNITS INCH THIRD ANGLE PROJECTION	TITLE SIMPLEX BEZEL ADAPTER KITS	
	DRAFT WHERE APPLICABLE MUST REMAIN WITHIN DIMENSIONS	MATERIAL NO. SEE TABLE	APPROVED BY SEE TABLE	DATE 2010/02/02	MOLEX INCORPORATED	DOCUMENT NO. SD-106004-32XX
	SIZE THIS DRAWING CONTAINS INFORMATION THAT IS PROPRIETARY TO MOLEX INCORPORATED AND SHOULD NOT BE USED WITHOUT WRITTEN PERMISSION	SIZE THIS DRAWING CONTAINS INFORMATION THAT IS PROPRIETARY TO MOLEX INCORPORATED AND SHOULD NOT BE USED WITHOUT WRITTEN PERMISSION	SIZE THIS DRAWING CONTAINS INFORMATION THAT IS PROPRIETARY TO MOLEX INCORPORATED AND SHOULD NOT BE USED WITHOUT WRITTEN PERMISSION	SIZE THIS DRAWING CONTAINS INFORMATION THAT IS PROPRIETARY TO MOLEX INCORPORATED AND SHOULD NOT BE USED WITHOUT WRITTEN PERMISSION	SIZE THIS DRAWING CONTAINS INFORMATION THAT IS PROPRIETARY TO MOLEX INCORPORATED AND SHOULD NOT BE USED WITHOUT WRITTEN PERMISSION	SIZE THIS DRAWING CONTAINS INFORMATION THAT IS PROPRIETARY TO MOLEX INCORPORATED AND SHOULD NOT BE USED WITHOUT WRITTEN PERMISSION
	SIZE THIS DRAWING CONTAINS INFORMATION THAT IS PROPRIETARY TO MOLEX INCORPORATED AND SHOULD NOT BE USED WITHOUT WRITTEN PERMISSION	SIZE THIS DRAWING CONTAINS INFORMATION THAT IS PROPRIETARY TO MOLEX INCORPORATED AND SHOULD NOT BE USED WITHOUT WRITTEN PERMISSION	SIZE THIS DRAWING CONTAINS INFORMATION THAT IS PROPRIETARY TO MOLEX INCORPORATED AND SHOULD NOT BE USED WITHOUT WRITTEN PERMISSION	SIZE THIS DRAWING CONTAINS INFORMATION THAT IS PROPRIETARY TO MOLEX INCORPORATED AND SHOULD NOT BE USED WITHOUT WRITTEN PERMISSION	SIZE THIS DRAWING CONTAINS INFORMATION THAT IS PROPRIETARY TO MOLEX INCORPORATED AND SHOULD NOT BE USED WITHOUT WRITTEN PERMISSION	SIZE THIS DRAWING CONTAINS INFORMATION THAT IS PROPRIETARY TO MOLEX INCORPORATED AND SHOULD NOT BE USED WITHOUT WRITTEN PERMISSION