

Excellent Integrated System Limited

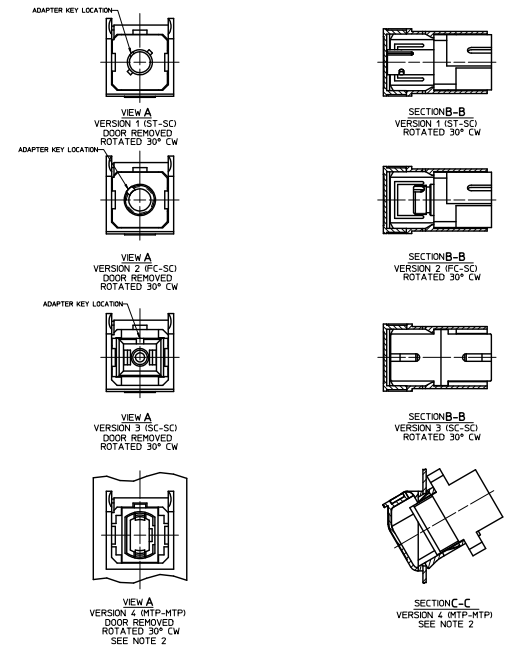
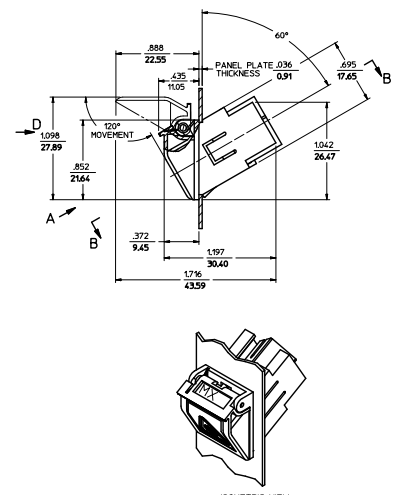
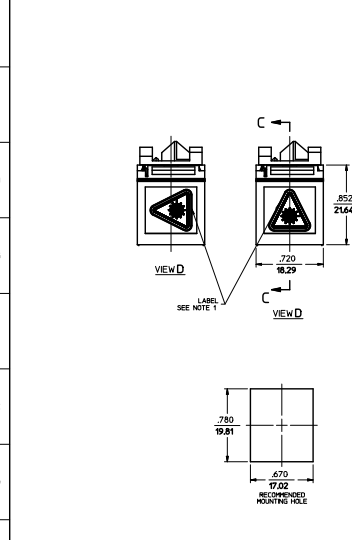
Stocking Distributor

Click to view price, real time Inventory, Delivery & Lifecycle Information:

[Molex Connector Corporation](#)
[1060043286](#)

For any questions, you can email us directly:
sales@integrated-circuit.com

REEL P/N	VERSION	SLIDE MATERIAL	ADAPTER COLOR
106004-3280	1	1ST-SC	PHOSPHOR BRONZE
106004-3281	1	1ST-SC	ZIRCONIA
106004-3282	2	1FC-SC	PHOSPHOR BRONZE
106004-3283	2	1FC-SC	ZIRCONIA
106004-3284	3	1SC-SC	PHOSPHOR BRONZE
106004-3285	3	1SC-SC	ZIRCONIA
106004-3286	3	1SC-SC	PHOSPHOR BRONZE
106004-3287	3	1SC-SC	ZIRCONIA
106004-3288	4	MTP-MTP	N/A
106004-3290	1	1ST-SC	PHOSPHOR BRONZE
106004-3291	1	1ST-SC	ZIRCONIA
106004-3292	2	1FC-SC	PHOSPHOR BRONZE
106004-3293	2	1FC-SC	ZIRCONIA
106004-3294	3	1SC-SC	PHOSPHOR BRONZE
106004-3295	3	1SC-SC	ZIRCONIA
106004-3296	3	1SC-SC	PHOSPHOR BRONZE
106004-3297	3	1SC-SC	ZIRCONIA
106004-3298	4	MTP-MTP	N/A
106004-3298	3	1SC-SC	ZIRCONIA



NOTES:
1. LABEL P/N 106004-3015 TO BE INSTALLED BY CUSTOMER.
2. MTP-MTP ADAPTER VERSION 4 TO BE ASSEMBLED BY CUSTOMER AFTER BEZEL IS INSTALLED IN PANEL CUTOUT.

ENTER DESCRIPTION EC NO. MF2010-035 DRAWN/REVISOR 2010/02/02 CHKD. 2010/02/02 APPROVED/MAIL 2010/02/11 REV.	QUALITY SYMBOLS	GENERAL TOLERANCES (UNLESS SPECIFIED)	DIMENSION STYLE	SCALE	DESIGN UNITS	THIRD ANGLE PROJECTION
	▽=0 ▽=0	4 PLACES ±.000 ±.000 3 PLACES ±.000 ±.000 2 PLACES ±.000 ±.000 1 PLACE ±.000 ±.000 ANGULAR ±1/2°	IN/MM DRAWN BY DATE RPACIFIC 2005/10/20 CHECKED BY DATE	2:1	INCH	SIMPLEX BEZEL ADAPTER KITS
	DRAFT WHERE APPLICABLE MUST REMAIN WITHIN DIMENSIONS	APPROVED BY DATE MATERIAL NO. SEE TABLE DOCUMENT NO. SD-106004-32XX	MOLEX INCORPORATED 1 OF 01			
	THIS DRAWING CONTAINS INFORMATION THAT IS PROPRIETARY TO MOLEX INCORPORATED AND SHOULD NOT BE USED WITHOUT WRITTEN PERMISSION					