

## Excellent Integrated System Limited

Stocking Distributor

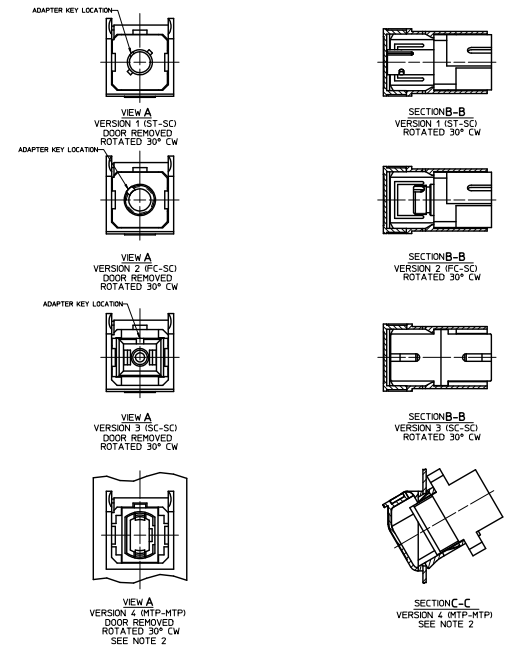
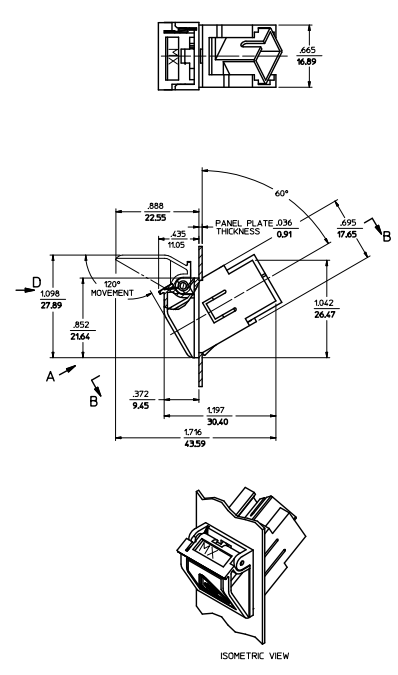
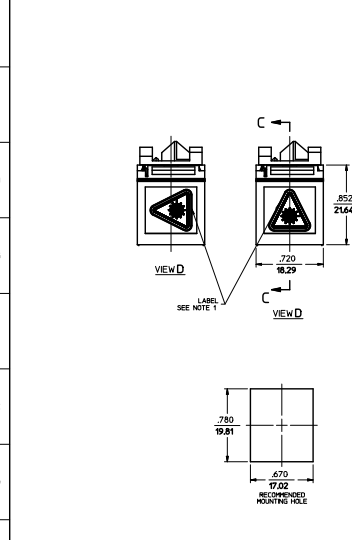
Click to view price, real time Inventory, Delivery & Lifecycle Information:

[Molex Connector Corporation](#)  
[1060043287](#)

For any questions, you can email us directly:

[sales@integrated-circuit.com](mailto:sales@integrated-circuit.com)

REEL P/N	VERSION	SLIDE MATERIAL	ADAPTER COLOR
106004-3280	1	1ST-SC	PHOSPHOR BRONZE
106004-3281	1	1ST-SC	ZIRCONIA
106004-3282	2	1FC-SC	PHOSPHOR BRONZE
106004-3283	2	1FC-SC	ZIRCONIA
106004-3284	3	1SC-SC	PHOSPHOR BRONZE
106004-3285	3	1SC-SC	ZIRCONIA
106004-3286	3	1SC-SC	PHOSPHOR BRONZE
106004-3287	3	1SC-SC	ZIRCONIA
106004-3288	4	MTP-MTP	N/A
106004-3290	1	1ST-SC	PHOSPHOR BRONZE
106004-3291	1	1ST-SC	ZIRCONIA
106004-3292	2	1FC-SC	PHOSPHOR BRONZE
106004-3293	2	1FC-SC	ZIRCONIA
106004-3294	3	1SC-SC	PHOSPHOR BRONZE
106004-3295	3	1SC-SC	ZIRCONIA
106004-3296	3	1SC-SC	PHOSPHOR BRONZE
106004-3297	3	1SC-SC	ZIRCONIA
106004-3298	4	MTP-MTP	N/A
106004-3298	3	1SC-SC	ZIRCONIA



NOTES:  
 1. LABEL P/N 106004-3015 TO BE INSTALLED BY CUSTOMER.  
 2. MTP-MTP ADAPTER (VERSION 4) TO BE ASSEMBLED BY CUSTOMER AFTER BEZEL IS INSTALLED IN PANEL CUTOUT.

<b>ENTER DESCRIPTION</b> EC NO. MF2010-035 DRAWN/REVISOR: 2010/02/02 CHECK: 2010/02/02 APPROVAL: 2010/02/11 REV:	<b>QUALITY SYMBOLS</b> ▽=0 ▽=0	<b>GENERAL TOLERANCES (UNLESS SPECIFIED)</b> 4 PLACES ±.005 ±.005 3 PLACES ±.005 ±.005 2 PLACES ±.005 ±.005 1 PLACE ±.005 ±.005 ANGULAR ±1/2°	<b>DIMENSION STYLE</b> IN/MM DRAWN BY: RPACIFIC1 DATE: 2005/10/20 CHECKED BY: [blank] DATE: [blank]	<b>SCALE</b> 2:1 <b>DESIGN UNITS</b> INCH <b>THIRD ANGLE PROJECTION</b>	<b>TITLE</b> SIMPLEX BEZEL ADAPTER KITS
	<b>DRAFT WHERE APPLICABLE MUST REMAIN WITHIN DIMENSIONS</b>	<b>APPROVED BY</b> MGININ DATE: 2010/02/02	<b>MATERIAL NO.</b> SEE TABLE	<b>MOLEX INCORPORATED</b>	<b>SHEET NO.</b> 1 OF 01
	<b>SIZE</b> D THIS DRAWING CONTAINS INFORMATION THAT IS PROPRIETARY TO MOLEX INCORPORATED AND SHOULD NOT BE USED WITHOUT WRITTEN PERMISSION	<b>DOCUMENT NO.</b> SD-106004-32XX	<b>MOLEX INCORPORATED</b>	<b>1 OF 01</b>	
	<b>ENTER DESCRIPTION</b> EC NO. MF2010-035 DRAWN/REVISOR: 2010/02/02 CHECK: 2010/02/02 APPROVAL: 2010/02/11 REV:	<b>QUALITY SYMBOLS</b> ▽=0 ▽=0	<b>GENERAL TOLERANCES (UNLESS SPECIFIED)</b> 4 PLACES ±.005 ±.005 3 PLACES ±.005 ±.005 2 PLACES ±.005 ±.005 1 PLACE ±.005 ±.005 ANGULAR ±1/2°	<b>DIMENSION STYLE</b> IN/MM DRAWN BY: RPACIFIC1 DATE: 2005/10/20 CHECKED BY: [blank] DATE: [blank]	<b>SCALE</b> 2:1 <b>DESIGN UNITS</b> INCH <b>THIRD ANGLE PROJECTION</b>