

Excellent Integrated System Limited

Stocking Distributor

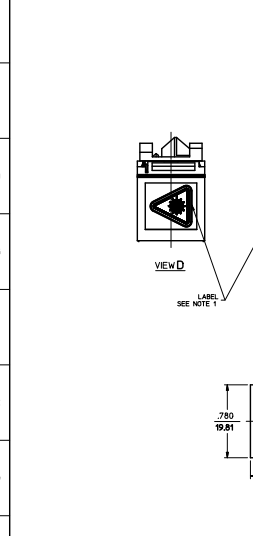
Click to view price, real time Inventory, Delivery & Lifecycle Information:

[Molex Connector Corporation](#)
[1060043292](#)

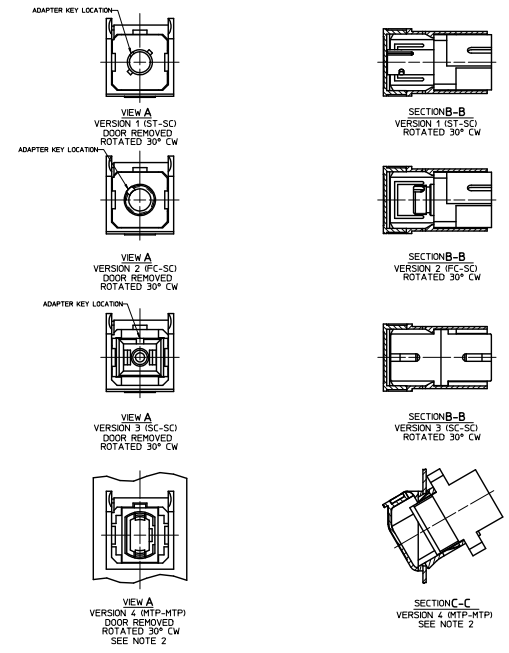
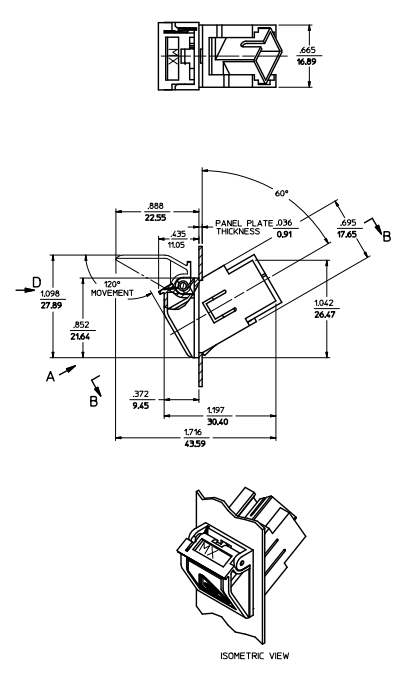
For any questions, you can email us directly:

sales@integrated-circuit.com

REEL P/N	VERSION	SLIDE MATERIAL	ADAPTER COLOR
106004-3280	1	1ST-SC	PHOSPHOR BRONZE
106004-3281	1	1ST-SC	ZIRCONIA
106004-3282	2	1FC-SC	PHOSPHOR BRONZE
106004-3283	2	1FC-SC	ZIRCONIA
106004-3284	3	1SC-SC	PHOSPHOR BRONZE
106004-3285	3	1SC-SC	ZIRCONIA
106004-3286	3	1SC-SC	PHOSPHOR BRONZE
106004-3287	3	1SC-SC	ZIRCONIA
106004-3288	4	MTP-MTP	N/A
106004-3290	1	1ST-SC	PHOSPHOR BRONZE
106004-3291	1	1ST-SC	ZIRCONIA
106004-3292	2	1FC-SC	PHOSPHOR BRONZE
106004-3293	2	1FC-SC	ZIRCONIA
106004-3294	3	1SC-SC	PHOSPHOR BRONZE
106004-3295	3	1SC-SC	ZIRCONIA
106004-3296	3	1SC-SC	PHOSPHOR BRONZE
106004-3297	3	1SC-SC	ZIRCONIA
106004-3298	4	MTP-MTP	N/A
106004-3298	3	1SC-SC	ZIRCONIA



NOTES:
1. LABEL P/N 106004-3019 TO BE INSTALLED BY CUSTOMER.
2. MTP-MTP ADAPTER VERSION 4 TO BE ASSEMBLED BY CUSTOMER AFTER BEZEL IS INSTALLED IN PANEL CUTOUT.



ENTER DESCRIPTION EC NO. MF2010-035 B DRAWN/PREP/CHK/APP/REV 2010/02/02 2010/02/02 2010/02/11 2010/02/11	QUALITY SYMBOLS ▽=0 ▽=0	GENERAL TOLERANCES (UNLESS SPECIFIED) 4 PLACES ±.005 ±.005 3 PLACES ±.005 ±.005 2 PLACES ±.005 ±.005 1 PLACE ±.005 ±.005 ANGULAR ±1/2°	DIMENSION STYLE IN/MM DRAWN BY: RPACIFIC1 CHECKED BY: MGIN DATE: 2005/10/20 DATE: 2010/02/02	SCALE: 2:1 DESIGN UNITS: INCH THIRD ANGLE PROJECTION	TITLE: SIMPLEX BEZEL ADAPTER KITS	
	MATERIAL NO: SEE TABLE DRAFT WHERE APPLICABLE MUST REMAIN WITHIN DIMENSIONS	APPROVED BY: Molex DATE: 2010/02/02	DOCUMENT NO: SD-106004-32XX THIS DRAWING CONTAINS INFORMATION THAT IS PROPRIETARY TO MOLEX INCORPORATED AND SHOULD NOT BE USED WITHOUT WRITTEN PERMISSION	SHEET NO: 1 OF 01		