

Excellent Integrated System Limited

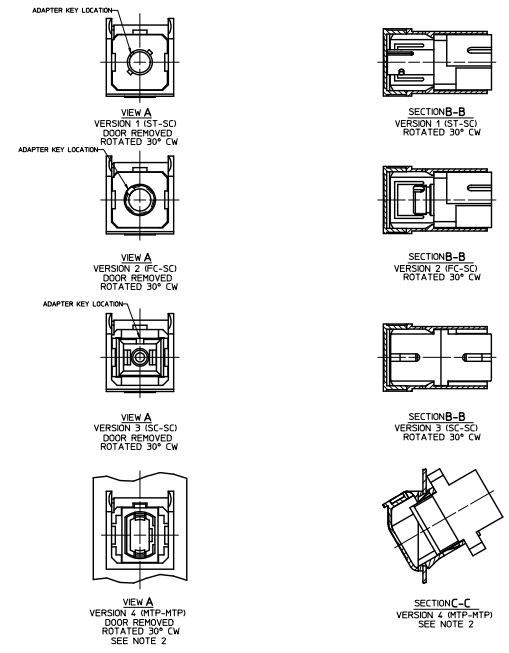
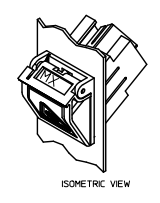
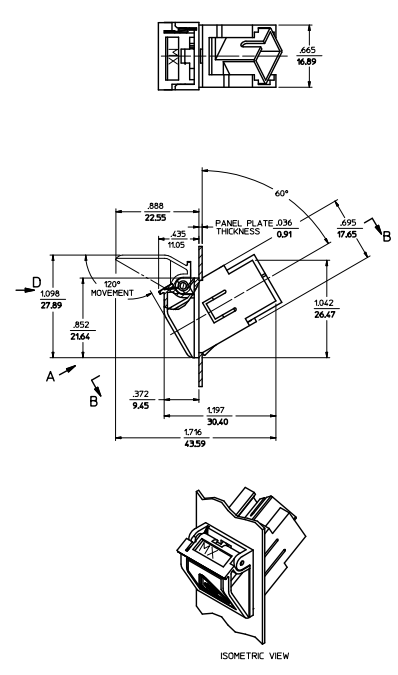
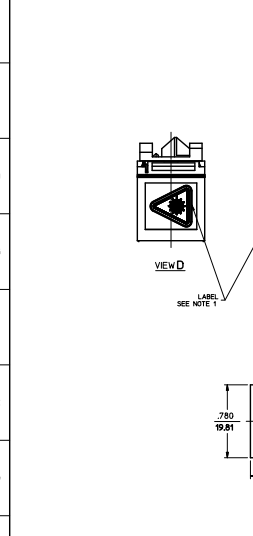
Stocking Distributor

Click to view price, real time Inventory, Delivery & Lifecycle Information:

[Molex Connector Corporation](#)
[1060043294](#)

For any questions, you can email us directly:
sales@integrated-circuit.com

REEL P/N	VERSION	SLIDE MATERIAL	ADAPTER COLOR
106004-3280	1	1ST-SC	PHOSPHOR BRONZE
106004-3281	1	1ST-SC	ZIRCONIA
106004-3282	2	1FC-SC	PHOSPHOR BRONZE
106004-3283	2	1FC-SC	ZIRCONIA
106004-3284	3	1SC-SC	PHOSPHOR BRONZE
106004-3285	3	1SC-SC	ZIRCONIA
106004-3286	3	1SC-SC	PHOSPHOR BRONZE
106004-3287	3	1SC-SC	ZIRCONIA
106004-3288	4	MTP-MTP	N/A
106004-3290	1	1ST-SC	PHOSPHOR BRONZE
106004-3291	1	1ST-SC	ZIRCONIA
106004-3292	2	1FC-SC	PHOSPHOR BRONZE
106004-3293	2	1FC-SC	ZIRCONIA
106004-3294	3	1SC-SC	PHOSPHOR BRONZE
106004-3295	3	1SC-SC	ZIRCONIA
106004-3296	3	1SC-SC	PHOSPHOR BRONZE
106004-3297	3	1SC-SC	ZIRCONIA
106004-3298	4	MTP-MTP	N/A
106004-3298	3	1SC-SC	ZIRCONIA



NOTES:
 1. LABEL P/N 106004-3015 TO BE INSTALLED BY CUSTOMER.
 2. MTP-MTP ADAPTER (VERSION 4) TO BE ASSEMBLED BY CUSTOMER AFTER BEZEL IS INSTALLED IN PANEL CUTOUT.

ENTER DESCRIPTION EC NO. MF2010-035 DRAWN/REVISOR 2010/02/02 CHECKED 2010/02/02 APPROVED/MAIL 2010/02/11 REV	QUALITY SYMBOLS	GENERAL TOLERANCES (UNLESS SPECIFIED)	DIMENSION STYLE	SCALE	DESIGN UNITS	THIRD ANGLE PROJECTION
	▽=0 ▽=0	4 PLACES ±.000 ±.000 3 PLACES ±.000 ±.000 2 PLACES ±.000 ±.000 1 PLACE ±.000 ±.000 ANGULAR ±1/2°	IN/MM DRAWN BY RPACIFIC1 CHECKED BY DATE 2005/10/20 APPROVED BY IGININ DATE 2010/02/02	2:1	INCH	
	MATERIAL NO. SEE TABLE DRAFT WHERE APPLICABLE MUST REMAIN WITHIN DIMENSIONS	THIS DRAWING CONTAINS INFORMATION THAT IS PROPRIETARY TO MOLEX INCORPORATED AND SHOULD NOT BE USED WITHOUT WRITTEN PERMISSION	MOLEX MOLEX INCORPORATED DOCUMENT NO. SD-106004-32XX SHEET NO. 1 OF 01			