

Excellent Integrated System Limited

Stocking Distributor

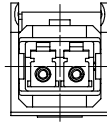
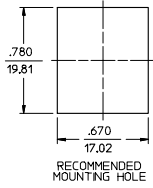
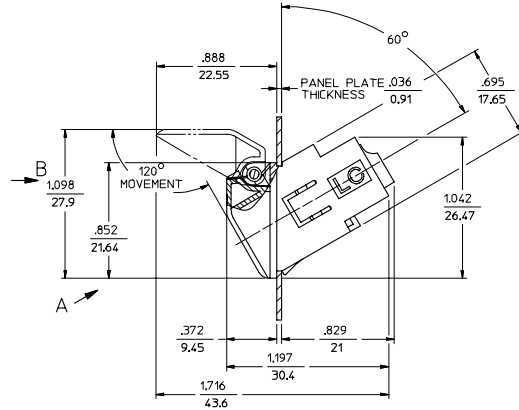
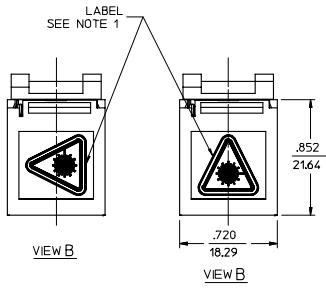
Click to view price, real time Inventory, Delivery & Lifecycle Information:

[Molex Connector Corporation](#)
[1060043379](#)

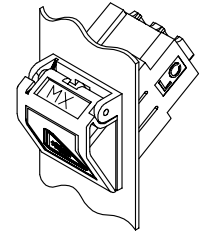
For any questions, you can email us directly:

sales@integrated-circuit.com

KIT P/N	SLEEVE MATERIAL
106004-3378	ZIRCONIA
106004-3379	PHOSPHOR BRONZE



VIEW A
DOOR REMOVED
ROTATED 30° CW



ISOMETRIC VIEW

NOTES:
1. LABEL TO BE INSTALLED BY CUSTOMER.

ENTER DESCRIPTION IEC NO: MF-2006-0262 DRAWN/PACIFIC I 2005/12/14 CHKD: 2005/12/14 APPR: IGM/IN 2005/12/14 REV: A	QUALITY SYMBOLS ▽=0 ▽=0	GENERAL TOLERANCES (UNLESS SPECIFIED)		DIMENSION STYLE	SCALE	DESIGN UNITS	THIRD ANGLE PROJECTION	
				IN/MM	2:1	INCH		
		4 PLACES ± --- ± ---		DRAWN BY	DATE	TITLE		
		3 PLACES ± --- ± ---		CHECKED BY	DATE	METALIZED LC BEZEL ADAPTER KITS		
2 PLACES ± --- ± ---		APPROVED BY		DATE	MOLEX INCORPORATED			
1 PLACE ± --- ± ---		ANGULAR ±1/2°		MATERIAL NO.		DOCUMENT NO.		
DRAFT WHERE APPLICABLE MUST REMAIN WITHIN DIMENSIONS		SEE TABLE		SD-106004-337X		SHEET NO. 1 OF 01		
THIS DRAWING CONTAINS INFORMATION THAT IS PROPRIETARY TO MOLEX INCORPORATED AND SHOULD NOT BE USED WITHOUT WRITTEN PERMISSION								