

Excellent Integrated System Limited

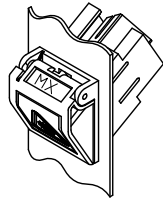
Stocking Distributor

Click to view price, real time Inventory, Delivery & Lifecycle Information:

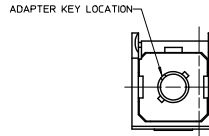
[Molex Connector Corporation](#)
[1060043383](#)

For any questions, you can email us directly:
sales@integrated-circuit.com

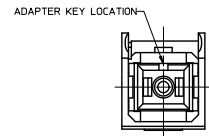
KIT P/N	VERSION	SLEEVE MATERIAL	ADAPTER COLOR
106004-3380	1 (ST-SC)	PHOSPHOR BRONZE	METAL
106004-3381		ZIRCONIA	
106004-3382	2 (FC-SC)	PHOSPHOR BRONZE	METAL
106004-3383		ZIRCONIA	
106004-3384	3 (SC-SC)	PHOSPHOR BRONZE	METAL
106004-3385		ZIRCONIA	
106004-3388	4 (MTP-MTP)	N/A	BLACK
106004-3389			



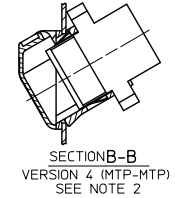
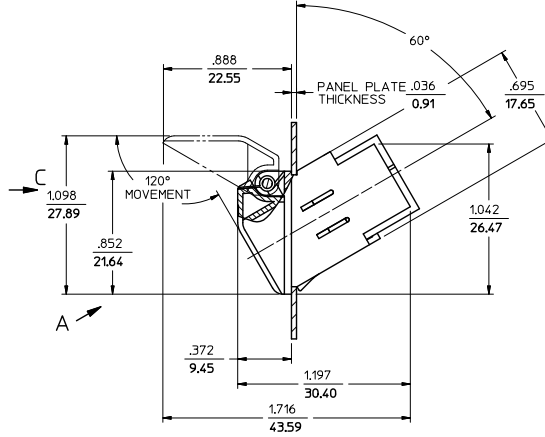
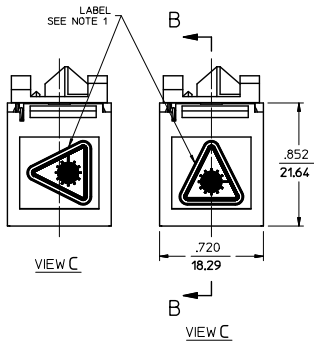
ISOMETRIC VIEW



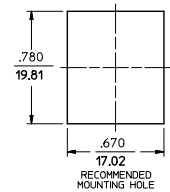
VIEW A
VERSION 1 & 2 (KEY LOCATION)
DOOR REMOVED
ROTATED 30° CW



VIEW A
VERSION 3 (SC-SC)
DOOR REMOVED
ROTATED 30° CW



SECTION B-B
VERSION 4 (MTP-MTP)
SEE NOTE 2



- NOTES:
- LABEL TO BE INSTALLED BY CUSTOMER.
 - MTP-MTP ADAPTER (VERSION 4) TO BE ASSEMBLED BY CUSTOMER, AFTER BEZEL IS INSTALLED IN PANEL CUTOUT.

ENTER DESCRIPTION EC NO: MF2012-0258 DRAWN BY: ZHANGPEIZHNER 2011/11/11 CHKD: JIAJIA APPR: LGMIN 2011/11/14 REV A2	QUALITY SYMBOLS ▽=0 ∇=0	GENERAL TOLERANCES (UNLESS SPECIFIED)		DIMENSION STYLE IN/MM		SCALE	DESIGN UNITS	THIRD ANGLE PROJECTION	
		4 PLACES ±	---	mm	INCH	2:1	INCH		
		3 PLACES ±	---			DRAWN BY: RPACIFIC1 DATE: 2005/10/20 CHECKED BY: DATE:			TITLE
		2 PLACES ±	---			APPROVED BY: DATE:			METALIZED SIMPLEX BEZEL ADAPTER KITS
		1 PLACE ±	---	ANGULAR ±1/2°		MOLEX INCORPORATED			
DRAFT WHERE APPLICABLE MUST REMAIN WITHIN DIMENSIONS		MATERIAL NO. SEE TABLE		DOCUMENT NO. SD-106004-338X		SHEET NO. 1 OF 1			
THIS DRAWING CONTAINS INFORMATION THAT IS PROPRIETARY TO MOLEX INCORPORATED AND SHOULD NOT BE USED WITHOUT WRITTEN PERMISSION									