

## Excellent Integrated System Limited

Stocking Distributor

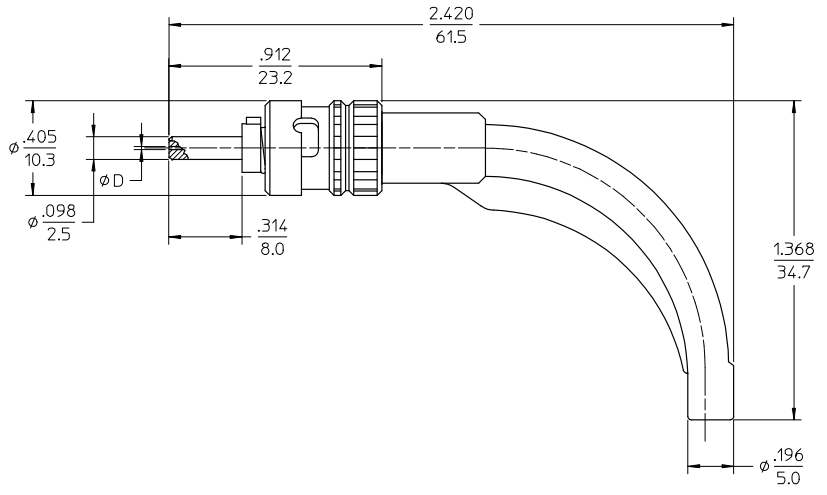
Click to view price, real time Inventory, Delivery & Lifecycle Information:

[Molex Connector Corporation](#)  
[1060103400](#)

For any questions, you can email us directly:

[sales@integrated-circuit.com](mailto:sales@integrated-circuit.com)

P/N	D (mm)	FERRULE MATERIAL	CABLE DIAMETER	BOOT COLOR	CABLE TYPE
106010-0400	127	Zr PLUS	3 mm	BLACK	MULTIMODE
106010-0440				RED	
106010-2400	125.5			BLACK	SINGLE MODE
106010-2440				RED	
106010-3400	128			BLACK	MULTIMODE
106010-3440				RED	
106010-5400	126		BLACK	SINGLE MODE	
106010-5440			RED		
106010-7400	127		BLACK		
106010-7440			RED		



<b>ENTER DESCRIPTION</b> EC NO: MF2008-0531 DRAWN: IGUMIN 2008/06/03 CHKD: LGYKJ 2008/06/03 APPR: IGUMIN 2008/06/03 REV: A1	<b>QUALITY SYMBOLS</b> ▽=0 ▽=0	<b>GENERAL TOLERANCES (UNLESS SPECIFIED)</b>		<b>DIMENSION STYLE</b> IN/MM	<b>SCALE</b> 4:1	<b>DESIGN UNITS</b> INCH	<b>THIRD ANGLE PROJECTION</b>		
		4 PLACES ±--- ±--- 3 PLACES ±--- ±--- 2 PLACES ±--- ±--- 1 PLACE ±--- ±---	mm INCH	DRAWN BY: PGIBLIN DATE: 2005/10/13 CHECKED BY:	<b>TITLE</b> ST CONNECTOR (PLASTIC NUT, 90D BOOT)				
		ANGULAR ±1/2°	DRAFT WHERE APPLICABLE MUST REMAIN WITHIN DIMENSIONS	APPROVED BY: IGUMIN DATE: 2005/10/13	<b>MATERIAL NO.</b> SEE TABLE <b>DOCUMENT NO.</b> SD-106010-XXX0 <b>MOLEX INCORPORATED</b>				
				SIZE B THIS DRAWING CONTAINS INFORMATION THAT IS PROPRIETARY TO MOLEX INCORPORATED AND SHOULD NOT BE USED WITHOUT WRITTEN PERMISSION	SHEET NO. 1 OF 1				