

Excellent Integrated System Limited

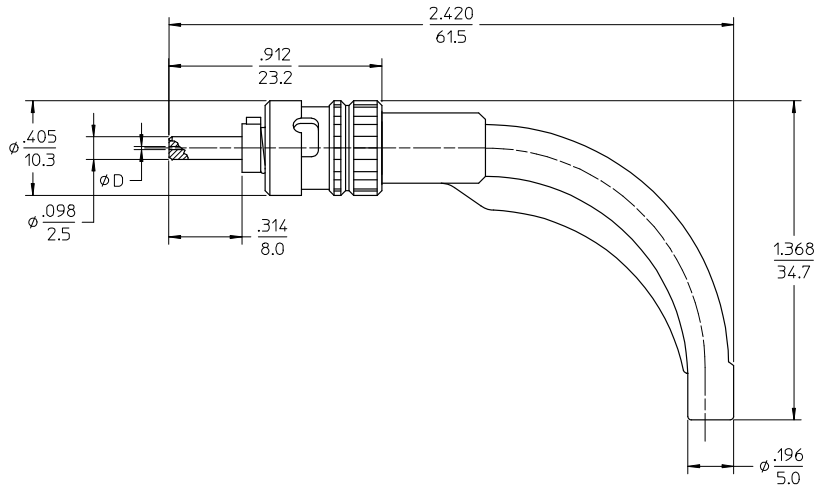
Stocking Distributor

Click to view price, real time Inventory, Delivery & Lifecycle Information:

[Molex Connector Corporation](#)
[1060105400](#)

For any questions, you can email us directly:
sales@integrated-circuit.com

| P/N | D (mm) | FERRULE MATERIAL | CABLE DIAMETER | BOOT COLOR | CABLE TYPE |
|-------------|--------|------------------|----------------|-------------|-------------|
| 106010-0400 | 127 | Zr PLUS | 3 mm | BLACK | MULTIMODE |
| 106010-0440 | | | | RED | |
| 106010-2400 | 125.5 | | | BLACK | SINGLE MODE |
| 106010-2440 | | | | RED | |
| 106010-3400 | 128 | | | BLACK | MULTIMODE |
| 106010-3440 | | | | RED | |
| 106010-5400 | 126 | | BLACK | SINGLE MODE | |
| 106010-5440 | | | RED | | |
| 106010-7400 | 127 | | BLACK | | |
| 106010-7440 | | | RED | | |



| | | | | | | | |
|---|--------------------------------------|---|---|---|---|-----------------------------|-------------------------------|
| ENTER DESCRIPTION EC NO: MF2008-0531 DRAWN: IGUMIN 2008/06/03 CHKD: LGYKJ 2008/06/03 APPR: IGUMIN 2008/06/03 | QUALITY SYMBOLS ▽=0 ▽=0 | GENERAL TOLERANCES (UNLESS SPECIFIED) | | DIMENSION STYLE IN/MM | SCALE 4:1 | DESIGN UNITS INCH | THIRD ANGLE PROJECTION |
| | | 4 PLACES ±--- ±--- 3 PLACES ±--- ±--- 2 PLACES ±--- ±--- 1 PLACE ±--- ±--- | mm INCH | DRAWN BY: PGIBLIN DATE: 2005/10/13 CHECKED BY: | TITLE: ST CONNECTOR (PLASTIC NUT, 90D BOOT) | | |
| | | DRAFT WHERE APPLICABLE MUST REMAIN WITHIN DIMENSIONS | APPROVED BY: IGUMIN DATE: 2005/10/13 | MATERIAL NO. SEE TABLE SIZE B | MOLEX INCORPORATED DOCUMENT NO. SD-106010-XXX0 | | |
| | | A1 | SHEET NO. 1 OF 1 | THIS DRAWING CONTAINS INFORMATION THAT IS PROPRIETARY TO MOLEX INCORPORATED AND SHOULD NOT BE USED WITHOUT WRITTEN PERMISSION | | | |