

## Excellent Integrated System Limited

Stocking Distributor

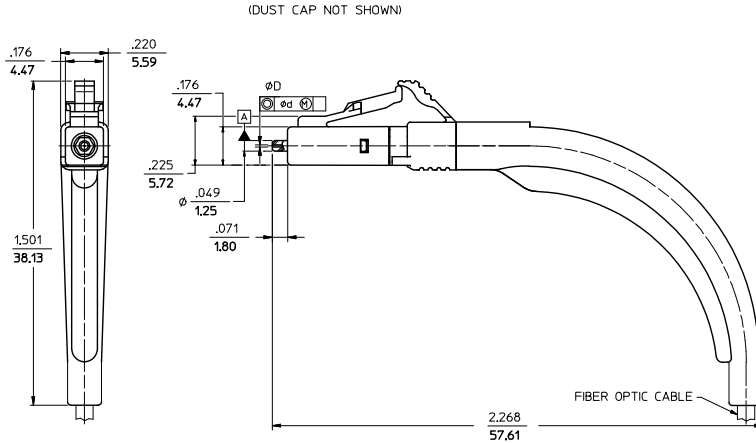
Click to view price, real time Inventory, Delivery & Lifecycle Information:

[Molex Connector Corporation](#)  
[1060242400](#)

For any questions, you can email us directly:

[sales@integrated-circuit.com](mailto:sales@integrated-circuit.com)

CONNECTOR P/N	ØD (H41)	Ød (H41)	CONNECTOR BODY COLOR	BOOT COLOR	CABLE Ø (mm)	CABLE TYPE		
106024-2400	125.50 <sup>+0.50</sup> <sub>0</sub>	1.0	BLUE	WHITE	1.6	SINGLE MODE		
106024-2600					2.0			
106024-3400	127.00 <sup>+2.00</sup> <sub>0</sub>	3.0	BEIGE	WHITE	1.6	MULTIMODE		
106024-3600								
106024-3610				BEIGE	2.0			
106024-4400	125.00 <sup>+0.50</sup> <sub>0</sub>	1.0	BLUE	WHITE	1.6	SINGLE MODE		
106024-4600								
106024-5400								
106024-2610				126.00 <sup>+1.00</sup> <sub>0</sub>			BEIGE	1.6
106024-5600							WHITE	2.0
106024-5610							YELLOW	2.0
106024-5700							RED	2.0
106024-6400				125.25 <sup>+0.50</sup> <sub>0</sub>				1.6
106024-6600								2.0
106090-4150				125.10-125.50	0.5		BLUE	WHITE
106090-4170								
106090-4180								
106090-4190	125.51-125.90		WHITE			2.0		
106090-2940	125.50 <sup>+0.50</sup> <sub>0</sub>					1.6		
106090-2960						2.0		
106090-4140	125.00 <sup>+0.50</sup> <sub>0</sub>					1.6		
106090-4160						2.0		
106090-6140						1.6		
106090-6160						2.0		
106090-6170	125.25 <sup>+0.50</sup> <sub>0</sub>			YELLOW	1.6			
106090-6145				WHITE	1.6			
106090-6165				WHITE	2.0			
106090-6175				YELLOW	1.6			



<b>ENTER DESCRIPTION</b> IEC NO: MF2013-0244 DRAWN BY: ZHANGPEIZHNER 2012/10/29 CHKD: LHM APPR: LHM 2012/10/31	<b>QUALITY SYMBOLS</b> ▼=0 ∇=0	<b>GENERAL TOLERANCES (UNLESS SPECIFIED)</b>		<b>DIMENSION STYLE</b> IN/MM		SCALE 4:1	DESIGN UNITS INCH	THIRD ANGLE PROJECTION	
		4 PLACES ± --- ± --- 3 PLACES ± --- ± --- 2 PLACES ± --- ± --- 1 PLACE ± --- ± --- 0 PLACE ± --- ± ---	DRAWN BY: PGIBLIN DATE: 2005/09/02 CHECKED BY: _____ DATE: _____ APPROVED BY: _____ DATE: _____	TITLE LC CONNECTOR (90D BOOT)					
ANGLE ±1/2° DRAFT WHERE APPLICABLE MUST REMAIN WITHIN DIMENSIONS		MATERIAL NO. SEE TABLE		DOCUMENT NO. SD-1060BB-BBBB		SHEET NO. 1 OF 1		THIS DRAWING CONTAINS INFORMATION THAT IS PROPRIETARY TO MOLEX INCORPORATED AND SHOULD NOT BE USED WITHOUT WRITTEN PERMISSION	