

## Excellent Integrated System Limited

Stocking Distributor

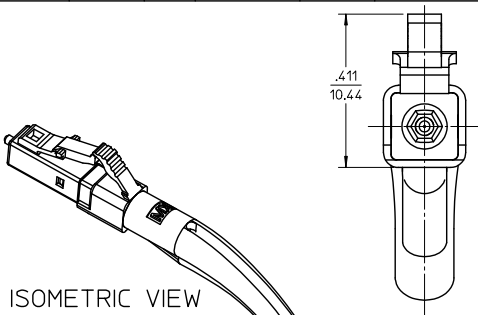
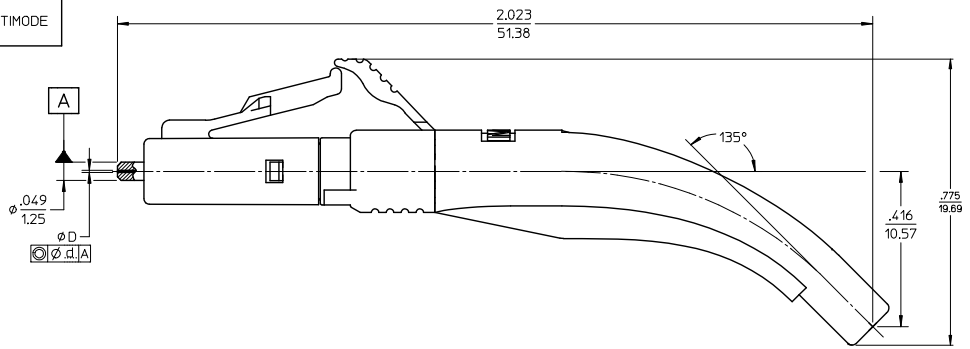
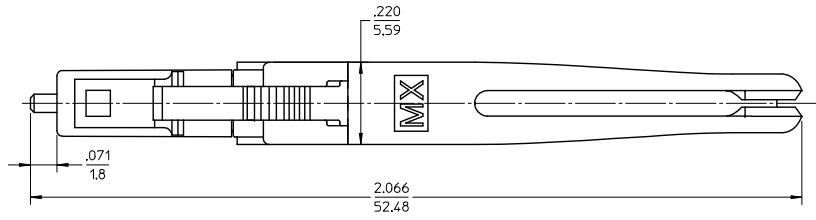
Click to view price, real time Inventory, Delivery & Lifecycle Information:

[Molex Connector Corporation](#)  
[1060247185](#)

For any questions, you can email us directly:

[sales@integrated-circuit.com](mailto:sales@integrated-circuit.com)

| CONNECTOR P/N | ØD (Hm)                             | Ød (Hm)                            | CONN. BODY COLOR | BOOT COLOR | CABLE Ø (mm)    | CABLE TYPE  |
|---------------|-------------------------------------|------------------------------------|------------------|------------|-----------------|-------------|
| 106024-7110   | 125 <sup>+0.5</sup> <sub>0</sub>    | 0.5                                | BLUE             | WHITE      | 1.6             | SINGLE MODE |
| 106024-7115   | 125.25 <sup>+0.5</sup> <sub>0</sub> |                                    |                  |            | 1.6 ZIPCORD & 2 |             |
| 106024-7120   |                                     |                                    |                  |            | 1.6             |             |
| 106024-7125   |                                     |                                    |                  |            | 1.6 ZIPCORD & 2 |             |
| 106024-7130   |                                     |                                    |                  |            | 1.6             |             |
| 106024-7135   |                                     |                                    |                  |            | 1.6 ZIPCORD & 2 |             |
| 106024-7140   |                                     | 126 <sup>+1</sup> <sub>0</sub>     | 1                | BLUE       | WHITE           | 1.6         |
| 106024-7145   | 125.5 <sup>+0.5</sup> <sub>0</sub>  | 1.6 ZIPCORD & 2                    |                  |            |                 |             |
| 106024-7150   |                                     | 1.6                                |                  |            |                 |             |
| 106024-7155   |                                     | 1.6 ZIPCORD & 2                    |                  |            |                 |             |
| 106024-7160   |                                     | 1.6                                |                  |            |                 |             |
| 106024-7165   |                                     | 1.6 ZIPCORD & 2                    |                  |            |                 |             |
| 106024-7170   |                                     | 125.5 <sup>+0.5</sup> <sub>0</sub> | 3                | BEIGE      | WHITE           | 1.6         |
| 106024-7175   | 127 <sup>+3</sup> <sub>0</sub>      | 1.6 ZIPCORD & 2                    |                  |            |                 |             |
| 106024-7180   |                                     | 1.6                                |                  |            |                 |             |
| 106024-7185   |                                     | 1.6 ZIPCORD & 2                    |                  |            |                 |             |



ISOMETRIC VIEW  
SCALE 2:1

NOTES:  
1. ALL DIMENSIONS ARE FOR REFERENCE ONLY.  
2. DUST CAP IS NOT SHOWN.

| ENTER DESCRIPTION<br>E.C. NO: ME2013-0244<br>DRAWN/REVIZNER<br>CHKD:<br>APPR: GUMIN<br>2012/10/29<br>2012/10/31<br>REV B1 | QUALITY SYMBOLS   | GENERAL TOLERANCES (UNLESS SPECIFIED)<br><table border="1"> <thead> <tr> <th></th> <th>mm</th> <th>INCH</th> </tr> </thead> <tbody> <tr> <td>4 PLACES</td> <td>± .15</td> <td>± .005</td> </tr> <tr> <td>3 PLACES</td> <td>± .10</td> <td>± .003</td> </tr> <tr> <td>2 PLACES</td> <td>± .07</td> <td>± .002</td> </tr> <tr> <td>1 PLACE</td> <td>± .05</td> <td>± .001</td> </tr> <tr> <td>0 PLACE</td> <td>± .03</td> <td>± .001</td> </tr> </tbody> </table> |                                | mm                             | INCH      | 4 PLACES | ± .15 | ± .005 | 3 PLACES | ± .10 | ± .003 | 2 PLACES | ± .07 | ± .002 | 1 PLACE | ± .05 | ± .001 | 0 PLACE | ± .03 | ± .001 | DIMENSION STYLE | SCALE | DESIGN UNITS | THIRD ANGLE PROJECTION |
|---|---|---|--------------------------------|--------------------------------|-----------|----------|-------|--------|----------|-------|--------|----------|-------|--------|---------|-------|--------|---------|-------|--------|-----------------|-------|--------------|------------------------|
|   |   |   | mm                             | INCH                           |           |          |       |        |          |       |        |          |       |        |         |       |        |         |       |        |                 |       |              |                        |
|   | 4 PLACES  |   | ± .15                          | ± .005                         |           |          |       |        |          |       |        |          |       |        |         |       |        |         |       |        |                 |       |              |                        |
|   | 3 PLACES  |   | ± .10                          | ± .003                         |           |          |       |        |          |       |        |          |       |        |         |       |        |         |       |        |                 |       |              |                        |
| 2 PLACES  | ± .07   | ± .002  |                                |                                |           |          |       |        |          |       |        |          |       |        |         |       |        |         |       |        |                 |       |              |                        |
| 1 PLACE   | ± .05   | ± .001  |                                |                                |           |          |       |        |          |       |        |          |       |        |         |       |        |         |       |        |                 |       |              |                        |
| 0 PLACE   | ± .03   | ± .001  |                                |                                |           |          |       |        |          |       |        |          |       |        |         |       |        |         |       |        |                 |       |              |                        |
| ▲=0<br>▽=0  | IN/MM<br>4:1<br>INCH  | DRAWN BY<br>PGIBLIN<br>DATE<br>2005/09/06   | TITLE                          | LC CONNECTOR<br>45 DEGREE BOOT |           |          |       |        |          |       |        |          |       |        |         |       |        |         |       |        |                 |       |              |                        |
|   | ANGULAR ±1/2°<br>DRAFT WHERE APPLICABLE<br>MUST REMAIN<br>WITHIN DIMENSIONS | CHECKED BY<br>DATE<br>APPROVED BY<br>DATE   |                                |                                | SHEET NO. |          |       |        |          |       |        |          |       |        |         |       |        |         |       |        |                 |       |              |                        |
|   |   | MATERIAL NO.<br>SEE TABLE   | DOCUMENT NO.<br>SD-106024-71XX | 1 OF 1                         |           |          |       |        |          |       |        |          |       |        |         |       |        |         |       |        |                 |       |              |                        |