

Excellent Integrated System Limited

Stocking Distributor

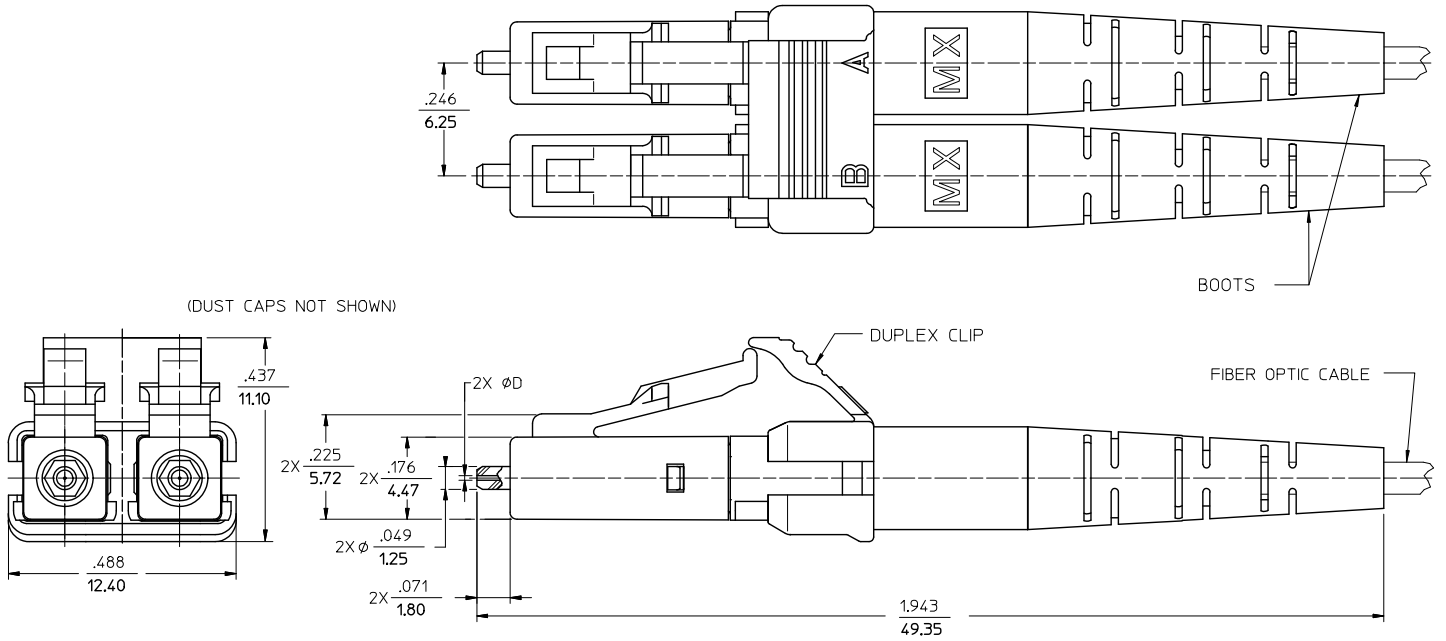
Click to view price, real time Inventory, Delivery & Lifecycle Information:

[Molex Connector Corporation](#)
[1060255310](#)

For any questions, you can email us directly:

sales@integrated-circuit.com

10 9 8 7 6 5 4 3 2 106025



NOTES:

1. DUPLX CLIP AND BOOTS SHOULD BE ASSEMBLED AFTER POLISHING OPERATION.
- *2. P/N 106025-3320 AND 106025-5320 ARE BULK PACKED IN QUANTITIES OF 100 PCS.

ENTER DESCRIPTION EC NO: ME2013-0203 DRAWN/REVISED: 2012/10/09 CHKD: [blank] APPR: [blank]	QUALITY SYMBOLS ▽=0 ▽=0	GENERAL TOLERANCES (UNLESS SPECIFIED)		DIMENSION STYLE		SCALE	DESIGN UNITS	THIRD ANGLE PROJECTION	
		mm	INCH	IN/MM		5:1	INCH		
REV B1	DESCRIPTION	4 PLACES	±	---	±	---	DRAWN BY: PGIBLIN		DATE: 2005/09/06
		3 PLACES	±	---	±	---	CHECKED BY:		DATE:
		2 PLACES	±	---	±	---	APPROVED BY:		DATE:
		1 PLACE	±	---	±	---	MATERIAL NO.:		DOCUMENT NO.:
		0 PLACE	±	---	±	---	SEE TABLE		SD-1060DD-DDD0
ANGULAR ±1/2°		DRAFT WHERE APPLICABLE		MUST REMAIN WITHIN DIMENSIONS		SHEET NO.:		1 OF 1	
THIS DRAWING CONTAINS INFORMATION THAT IS PROPRIETARY TO MOLEX INCORPORATED AND SHOULD NOT BE USED WITHOUT WRITTEN PERMISSION									

9 8 7 6 5 4 3 2 1

CONNECTOR P/N	∅D (μm)	CONNECTOR BODY COLOR	BOOT COLOR	CABLE DESCRIPTION & ∅ (mm)	CABLE TYPE
106025-2000	125.50	BLUE	WHITE	SIMPLEX 1.6	SINGLE MODE
106025-2300			BLACK	SIMPLEX 2.0 ZIPCORD 1.6	
106025-2310					
106025-3000	127.00	BEIGE	WHITE	SIMPLEX 1.6	MULTIMODE
106025-3300			SIMPLEX 2.0 ZIPCORD 1.6		
106025-3320*					
106025-3310					
106025-4000	125.00	BLUE	WHITE	SIMPLEX 1.6	SINGLE MODE
106025-4300				SIMPLEX 2.0 ZIPCORD 1.6	
106025-5000				SIMPLEX 1.6	
106025-5300			SIMPLEX 2.0 ZIPCORD 1.6		
106025-5320*					
106025-5310			BLUE		
106025-6000			125.25	WHITE	
106025-6300	SIMPLEX 2.0 ZIPCORD 1.6				

ENTER DESCRIPTION EC NO: ME2013-0203 DRWN:REVZNER 2012/10/09 CHKD: APPR: GUMIN 2012/10/09 DESCRIPTION B1 REV	QUALITY SYMBOLS ▽=0 ▽=0	GENERAL TOLERANCES (UNLESS SPECIFIED) <table border="1"> <thead> <tr> <th></th> <th>mm</th> <th>INCH</th> </tr> </thead> <tbody> <tr> <td>4 PLACES</td> <td>± ---</td> <td>± ---</td> </tr> <tr> <td>3 PLACES</td> <td>± ---</td> <td>± ---</td> </tr> <tr> <td>2 PLACES</td> <td>± ---</td> <td>± ---</td> </tr> <tr> <td>1 PLACE</td> <td>± ---</td> <td>± ---</td> </tr> <tr> <td>0 PLACE</td> <td>±</td> <td>±</td> </tr> </tbody> </table>		mm	INCH	4 PLACES	± ---	± ---	3 PLACES	± ---	± ---	2 PLACES	± ---	± ---	1 PLACE	± ---	± ---	0 PLACE	±	±	DIMENSION STYLE IN/MM DRAWN BY PGIBLIN DATE 2005/09/06 CHECKED BY DATE APPROVED BY DATE	SCALE 5:1 DESIGN UNITS INCH THIRD ANGLE PROJECTION	TITLE LC DUPLEX CONNECTOR
		mm	INCH																				
	4 PLACES	± ---	± ---																				
	3 PLACES	± ---	± ---																				
	2 PLACES	± ---	± ---																				
1 PLACE	± ---	± ---																					
0 PLACE	±	±																					
ANGULAR ±1/2° DRAFT WHERE APPLICABLE MUST REMAIN WITHIN DIMENSIONS		MATERIAL NO. SEE TABLE	DOCUMENT NO. SD-1060DD-DDD0	SHEET NO. 2 OF 1																			
THIS DRAWING CONTAINS INFORMATION THAT IS PROPRIETARY TO MOLEX INCORPORATED AND SHOULD NOT BE USED WITHOUT WRITTEN PERMISSION																							

tb_frame_A_P_ME_T
Rev E1 2012/01/25

5 4 3 2 1