

Excellent Integrated System Limited

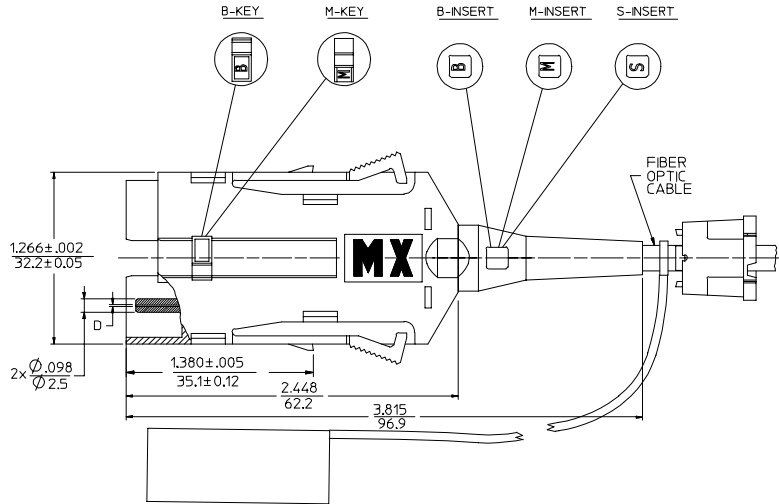
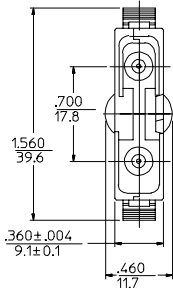
Stocking Distributor

Click to view price, real time Inventory, Delivery & Lifecycle Information:

[Molex Connector Corporation](#)
[1060300000](#)

For any questions, you can email us directly:
sales@integrated-circuit.com

ØD (4m)	P/N OF CONNECTOR	FERRULE MATERIAL	CONNECTOR COLOR	CABLE TYPE
127	106030-0000	Zr PLUS	BLACK	Ø4.1 mm NON-PLENUM
	106030-0100			Ø4.8 mm NON-PLENUM
	106030-0200			ZPCORD
	106030-0210*			MULTIMODE
128	106030-3000	Zr		Ø4.1 mm NON-PLENUM
	106030-3100			Ø4.8 mm NON-PLENUM
	106030-3200			ZPCORD



NOTES:

- INSERTS "A", "B" AND "M" SHOULD MATCH KEY TYPES "A", "B" AND "M" RESPECTIVELY. CONNECTOR WITHOUT KEY IS "S" TYPE, AND SHOULD HAVE S-INSERT. ORIENTATION OF KEYS AND INSERTS IS AS PER DRAWING.
- P/N 106030-0210 IS BULK PACKED IN QUANTITIES OF 100 PCS.

ENTER DESCRIPTION EC NO: MF-2006-0424 DRW/PACIFIC I CHKD: 2006/07/24 APPR: IGM/IN 2006/07/24 REV	QUALITY SYMBOLS ▽=0 ▽=0	GENERAL TOLERANCES (UNLESS SPECIFIED) <table border="1"> <thead> <tr> <th></th> <th>mm</th> <th>INCH</th> </tr> </thead> <tbody> <tr> <td>4 PLACES</td> <td>±.005</td> <td>±.0002</td> </tr> <tr> <td>3 PLACES</td> <td>±.008</td> <td>±.0003</td> </tr> <tr> <td>2 PLACES</td> <td>±.012</td> <td>±.0005</td> </tr> <tr> <td>1 PLACE</td> <td>±.015</td> <td>±.0006</td> </tr> </tbody> </table>		mm	INCH	4 PLACES	±.005	±.0002	3 PLACES	±.008	±.0003	2 PLACES	±.012	±.0005	1 PLACE	±.015	±.0006	DIMENSION STYLE IN/MM SCALE 2:1 DESIGN UNITS INCH THIRD ANGLE PROJECTION	DRAWN BY DATE RPACIFIC I 2005/12/22 CHECKED BY DATE	TITLE FDDI CONNECTOR (4.2-4.8 MM CABLE)
		mm	INCH																	
	4 PLACES	±.005	±.0002																	
	3 PLACES	±.008	±.0003																	
2 PLACES	±.012	±.0005																		
1 PLACE	±.015	±.0006																		
DRAFT WHERE APPLICABLE MUST REMAIN WITHIN DIMENSIONS		APPROVED BY DATE MATERIAL NO. SEE TABLE DOCUMENT NO. SD-106030-XX00	MOLEX INCORPORATED	SHEET NO. 1 OF 01																
THIS DRAWING CONTAINS INFORMATION THAT IS PROPRIETARY TO MOLEX INCORPORATED AND SHOULD NOT BE USED WITHOUT WRITTEN PERMISSION																				