

## **Excellent Integrated System Limited**

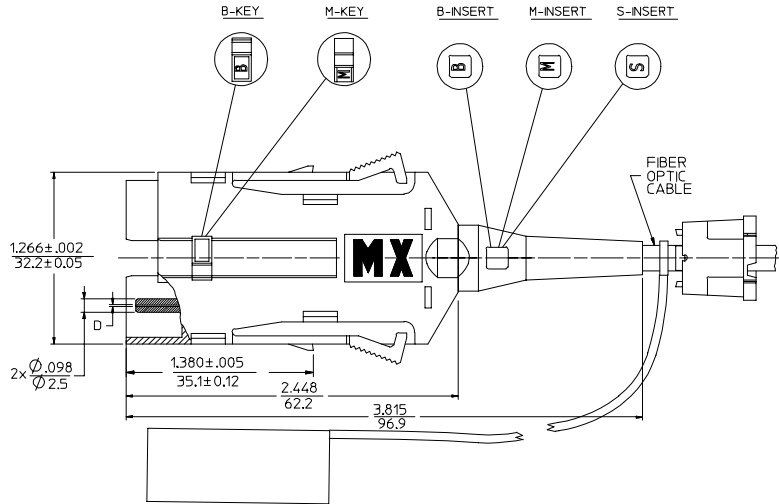
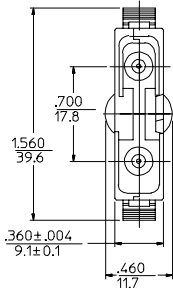
Stocking Distributor

Click to view price, real time Inventory, Delivery & Lifecycle Information:

[Molex Connector Corporation](#)  
[1060300100](#)

For any questions, you can email us directly:  
[sales@integrated-circuit.com](mailto:sales@integrated-circuit.com)

ØD (4m)	P/N OF CONNECTOR	FERRULE MATERIAL	CONNECTOR COLOR	CABLE TYPE
127	106030-0000	Zr PLUS	BLACK	Ø4.1 mm NON-PLENUM
	106030-0100			Ø4.8 mm NON-PLENUM
	106030-0200			ZPCORD
	106030-0210*			MULTIMODE
128	106030-3000	Zr		Ø4.1 mm NON-PLENUM
	106030-3100			Ø4.8 mm NON-PLENUM
	106030-3200			ZPCORD



NOTES:

- INSERTS "A", "B" AND "M" SHOULD MATCH KEY TYPES "A", "B" AND "M" RESPECTIVELY. CONNECTOR WITHOUT KEY IS "S" TYPE, AND SHOULD HAVE S-INSERT. ORIENTATION OF KEYS AND INSERTS IS AS PER DRAWING.
- P/N 106030-0210 IS BULK PACKED IN QUANTITIES OF 100 PCS.

ENTER DESCRIPTION EC NO: MF-2006-0424 DRW: RPACIFIC I CHKD: 2006/07/24 APPR: LGMIN 2006/07/24	QUALITY SYMBOLS ▽=0 ▽=0	GENERAL TOLERANCES (UNLESS SPECIFIED)		DIMENSION STYLE IN/MM	SCALE 2:1	DESIGN UNITS INCH	THIRD ANGLE PROJECTION	
		4 PLACES ±--- ±--- 3 PLACES ±--- ±--- 2 PLACES ±--- ±--- 1 PLACE ±--- ±---	mm INCH	DRAWN BY RPACIFIC I	DATE 2005/12/22	TITLE FDDI CONNECTOR (4.2-4.8 MM CABLE)		
DRAFT WHERE APPLICABLE MUST REMAIN WITHIN DIMENSIONS		ANGULAR ±1/2°		APPROVED BY	DATE	MOLEX INCORPORATED		
MATERIAL NO. SEE TABLE		DOCUMENT NO. SD-106030-XX00		SHEET NO. 1 OF 01				
THIS DRAWING CONTAINS INFORMATION THAT IS PROPRIETARY TO MOLEX INCORPORATED AND SHOULD NOT BE USED WITHOUT WRITTEN PERMISSION								